

REV.	ECN NO.	DATE
1.0	RELEASED	10/14/04

HOW TO ORDER

1394S-06 X X XX-D3

SERIES NO

NO OF CONTACT

HOUSING COLOR

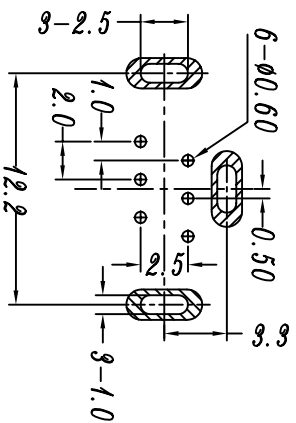
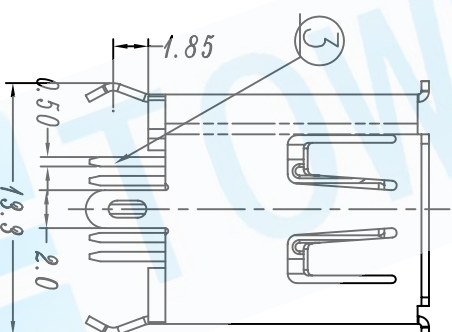
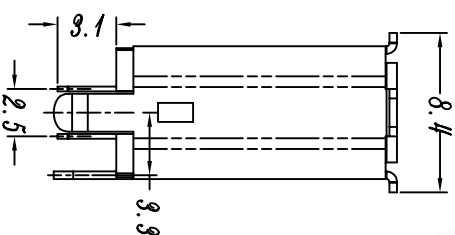
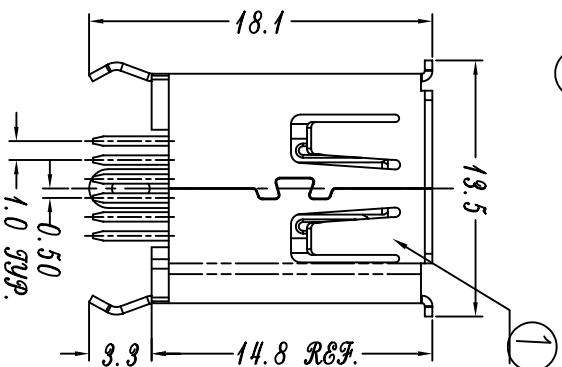
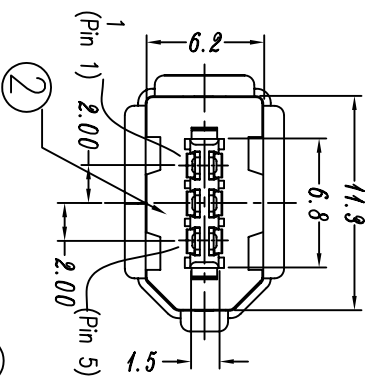
B : BLACK
W : WHITE

SHELL PLATED

N : NICKEL
T : TIN

TERMINAL TYPE
D3 : 180D DIP

CONTACT PLATED
HF : GOLD FLASH
H1 : 3U"
H2 : 5U" H4 : 20U"
H3 : 10U" H5 : 30U"



Specification:

2.1 Current rating: 1 A Max.

2.2 Dielectric withstanding voltage: 500 V(ac) for 1 min.

2.3 Contact resistance: 30 mΩMax.

2.4 Insulation resistance: 100ΩM Min.

2.5 Total mating force: 4.0 Kgf Max.

2.6 Total unmating force: 1.0 Kgf Min.

2.7 Temperature range: -40°C~85°C

MATERIAL

① Shell: Copper Alloy. T=0.4mm

② Insulator : high temperature with UL94V-0

③ Contacts: Copper Alloy. T=0.25mm

比例 (SCALE)	FREE	繪圖 (DRAW)	ZHAONENGMEI
單位 (UNIT)	MM	審核 (CHECK)	/ /
一般公差 (TOLERANCE)		承認 (AP" E)	/ /
投影法 PROJECTION	第三角		
圖名 (NAME) :	松嵐企業有限公司 TOWNES ENTERPRISE CO.,LTD		
料號 (PART NO)	IEEE1394 6P Female 180D Dip		
圖號 (DRAW NO)	1394S-06XXXX-D3		
	20041014-01(WX)		

.0=±0.35
.00=±0.2
ANG=±5°