

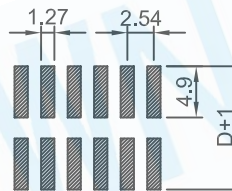
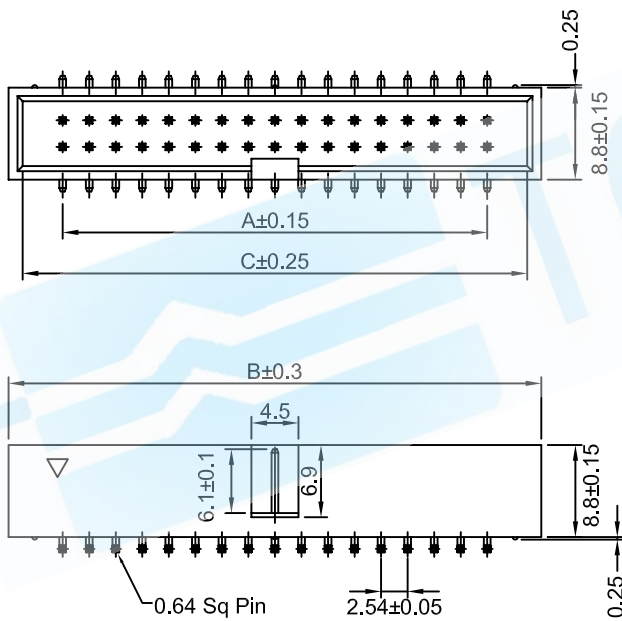
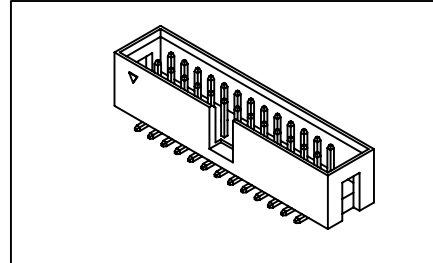
# 0.10"(2.54mm) Box Header

## Dual Row 08 to 64 Contacts

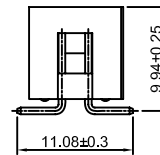
### SMT Type Profile : 8.8mm

#### SPECIFICATION

Current Rating	: 3 Amp
Insulator Resistance	: 5000 Megohms min.
Contact Resistance	: 20 Milliohms Max.
Dielectric Withstanding	: AC 500 V
Operating Temperature	: -40°C ~ +105°C
Max Processing Temp	: 230°C For 30~60 Seconds (260°C For 10 Seconds)
Contact Material	: Brass
Insulator Material	: Polyester, UL 94V-0 Standard : Nylon-6T
Contact Plated	: Full Gold, Full Tin, Selective Plated
Standard	: Gold Flash all Over Nickel

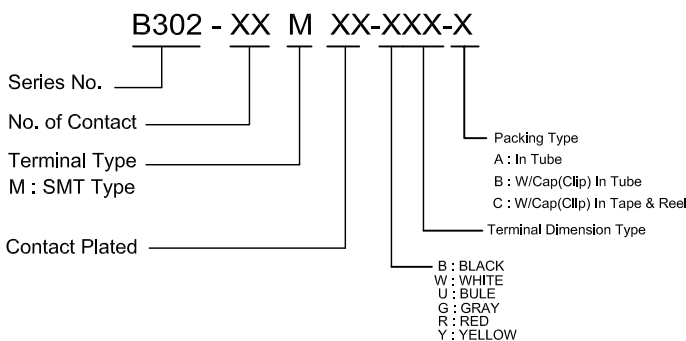


P.C.B Layout



NO. OF CONTACTS	DIMENSION		
	A	B	C
6P	5.08	15.2	12.94
8P	7.62	17.74	15.48
10P	10.16	20.32	18.02
12P	12.7	22.86	20.56
14P	15.24	25.4	23.10
16P	17.78	27.94	25.64
20P	22.86	33.02	30.72
24P	27.94	38.10	35.80
26P	30.48	40.64	38.34
30P	35.56	45.72	43.42
34P	40.64	50.80	48.50
40P	48.28	58.42	56.12
50P	60.96	71.12	68.82
60P	73.66	83.82	81.52
64P	78.74	88.90	86.60

## HOW TO ORDER



Full Gold Type	Selective Plated Type Gold Plated on Contact Area Tin Plated on Solder Area	Full Tin Type
GF : Gold Flash	HF : Gold Flash, Tin 100u"	T1 : Tin 100u"
G1 : Gold 3u"	H1 : Gold 3u", Tin 100u"	T2 : Tin 200u"
G2 : Gold 5u"	H2 : Gold 5u", Tin 100u"	
G3 : Gold 10u"	H3 : Gold 10u", Tin 100u"	
G4 : Gold 15u"	H4 : Gold 15u", Tin 100u"	
G5 : Gold 20u"	H5 : Gold 20u", Tin 100u"	
G6 : Gold 30u"	H6 : Gold 30u", Tin 100u"	