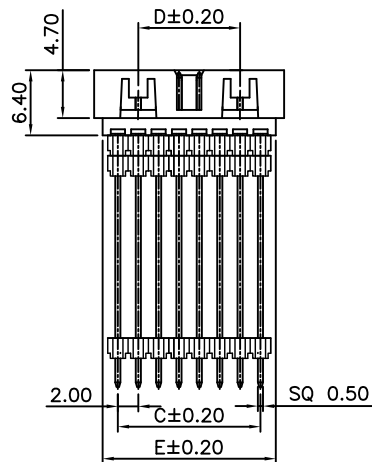
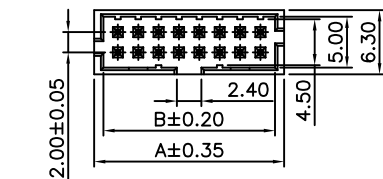
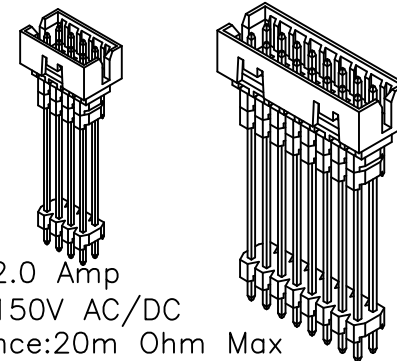
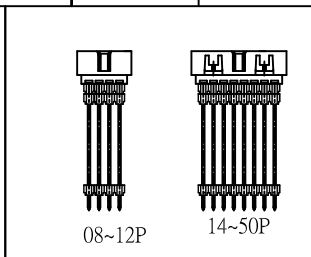


RoHS Compliant Customer Drawing

No.	A	B	C	D	E
08	10.65	8.85	6.00		9.00
10	12.65	10.85	8.00		11.00
12	14.65	12.85	10.00		13.00
14	16.65	14.85	12.00	8.00	15.00
16	18.65	16.85	14.00	10.00	17.00
18	20.65	18.85	16.00	12.00	19.00
20	22.65	20.85	18.00	14.00	21.00
22	24.65	22.85	20.00	16.00	23.00
24	26.65	24.85	22.00	18.00	25.00
26	28.65	26.85	24.00	20.00	27.00
28	30.65	28.85	26.00	22.00	29.00
30	32.65	30.85	28.00	24.00	31.00
32	34.65	32.85	30.00	26.00	33.00
34	36.65	34.85	32.00	28.00	35.00
36	38.65	36.85	34.00	30.00	37.00
38	40.65	38.85	36.00	32.00	39.00
40	42.65	40.85	38.00	34.00	41.00
42	44.65	42.85	40.00	36.00	43.00
44	46.65	44.85	42.00	38.00	45.00
46	48.65	46.85	44.00	40.00	47.00
48	50.65	48.85	46.00	42.00	49.00
50	52.65	50.85	48.00	44.00	51.00



02~20變形量<0.20mm Max
21~30變形量<0.30mm Max
31~50變形量<0.40mm Max



Specifications:
 Current Rating:2.0 Amp
 Voltage Rating:150V AC/DC
 Contact resistance:20m Ohm Max
 Insulator resistance:5000M ohm min.
 Withstanding Voltage:500V AC/Minute
 Operating Temperature Range:-40°~+105°C
 Material And Finish
 Main Body Insulator:LCP UL94V-0
 Pin Header Insulator:Nylon 6T UL94V-0
 Insulator Color:Black
 Contact:Brass
 Contact Plated:See Contact Plated Tab.
 How To Order
 B303C3-XXSXX-308-LX

Packing
 Contact Plated
 No. Of Positions

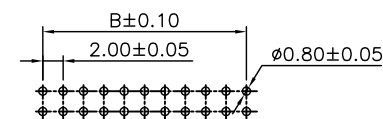
Contact Plated

Gold Plated			Selective Plated Type			Selective Plated Type			Full Tin Type	
Code	Contact Area	Other Area	Code	Contact Area	Solder Area	Code	Contact Area	Solder Area	Code	Full Tin
GF	Gold Flash	Gold Flash	HF	Gold Flash	Tin 100u"	MHF	Gold Flash	Matte Tin 100u"	T1	Tin 100u"
G1	Gold 3u"	Gold Flash	H1	Gold 3u"	Tin 100u"	MH1	Gold 3u"	Matte Tin 100u"	T2	Tin 200u"
G2	Gold 5u"	Gold Flash	H2	Gold 5u"	Tin 100u"	MH2	Gold 5u"	Matte Tin 100u"	T3	Tin 150u"
G3	Gold 10u"	Gold Flash	H3	Gold 10u"	Tin 100u"	MH3	Gold 10u"	Matte Tin 100u"	MT1	Matte Tin 100u"
G4	Gold 15u"	Gold Flash	H4	Gold 15u"	Tin 100u"	MH4	Gold 15u"	Matte Tin 100u"	MT2	Matte Tin 200u"
G5	Gold 20u"	Gold Flash	H5	Gold 20u"	Tin 100u"	MH5	Gold 20u"	Matte Tin 100u"	MT3	Matte Tin 150u"
G6	Gold 30u"	Gold Flash	H6	Gold 30u"	Tin 100u"	MH6	Gold 30u"	Matte Tin 100u"		

Over Nickel 30u"~50u"

Packing

Code	Packing
A	W/O CAP In Tube
H	In Tray
G	In BAG



Recommended PCB Layout

1.3			
1.2			
1.1			
1.0	RELEASED	CHENTAO	25-Apr-2012
REV.	ECN. NO.	DR.BY	DATE



MAT'L: FINISH:

x.: ±0.30 x: ±5.0°
 x.x: ±0.20 x.x: ±3.0°
 x.xx: ±0.15 x.xx: ±1.0°
 UNIT: mm
 SCALE: 1:1 SHEET: 1/1

TITLE : 2.00mm Pitch Box Header Double Rows 180° Type		A4	
APPD.: Alan Chao	PART NO : B303C3-XXSXX-308-LX		
CHKD.:	DWG. NO.: RDA120425-005		
DR.: CHNETAO	REV.: 1.0	DATE: 25-Apr-2012	