

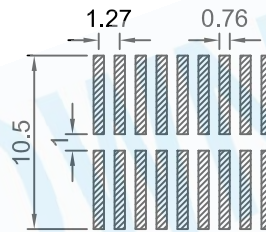
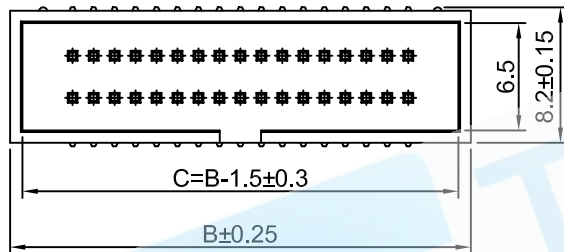
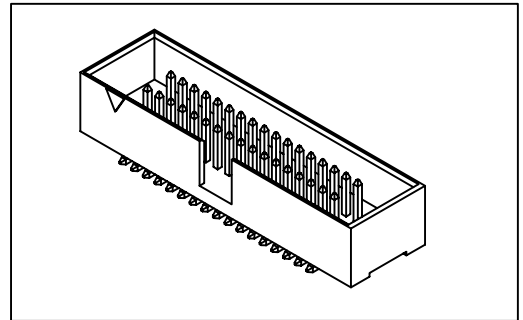
0.05"X0.1"(1.27X2.54mm) Box Header

Dual Row 08 to 100 Contacts Four Wall Shrouded

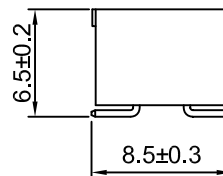
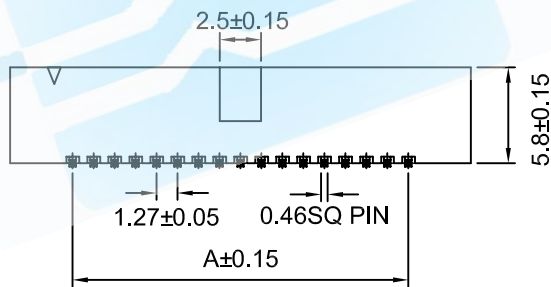
SMT Type Profile : 5.8mm

SPECIFICATION

Current Rating	: 1 Amp
Insulator Resistance	: 1000 Megohms min.
Contact Resistance	: 20 Milliohms Max.
Dielectric Withstanding	: AC 500 V
Operating Temperature	: -40°C ~ +105°C
Max Processing Temp	: 230°C For 30~60 Seconds (260°C For 10 Seconds)
Contact Material	: Brass
Insulator Material	: Polyester, UL 94V-0 Standard : Nylon-6T
Contact Plated	: Full Gold, Full Tin, Selective Plated
Standard	: Gold Flash all Over Nickel

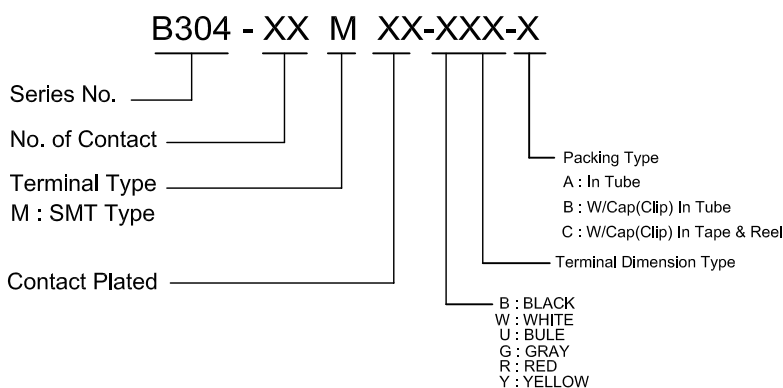


P.C.B Layout



NO. OF CONTACTS	DIMENSION	
	A	B
8P	3.81	13.10
10P	5.08	14.37
20P	11.43	20.72
26P	15.24	24.53
30P	17.78	27.07
34P	20.32	29.61
40P	24.13	33.42
44P	26.67	35.96
50P	30.48	39.77
60P	36.83	46.12
68P	41.91	51.20
80P	49.53	58.82
100P	62.23	71.52

HOW TO ORDER



Full Gold Type	Selective Plated Type Gold Plated on Contact Area Tin Plated on Solder Area	Full Tin Type
GF : Gold Flash	HF : Gold Flash, Tin 100u"	T1 : Tin 100u"
G1 : Gold 3u"	H1 : Gold 3u", Tin 100u"	T2 : Tin 200u"
G2 : Gold 5u"	H2 : Gold 5u", Tin 100u"	
G3 : Gold 10u"	H3 : Gold 10u", Tin 100u"	
G4 : Gold 15u"	H4 : Gold 15u", Tin 100u"	
G5 : Gold 20u"	H5 : Gold 20u", Tin 100u"	
G6 : Gold 30u"	H6 : Gold 30u", Tin 100u"	