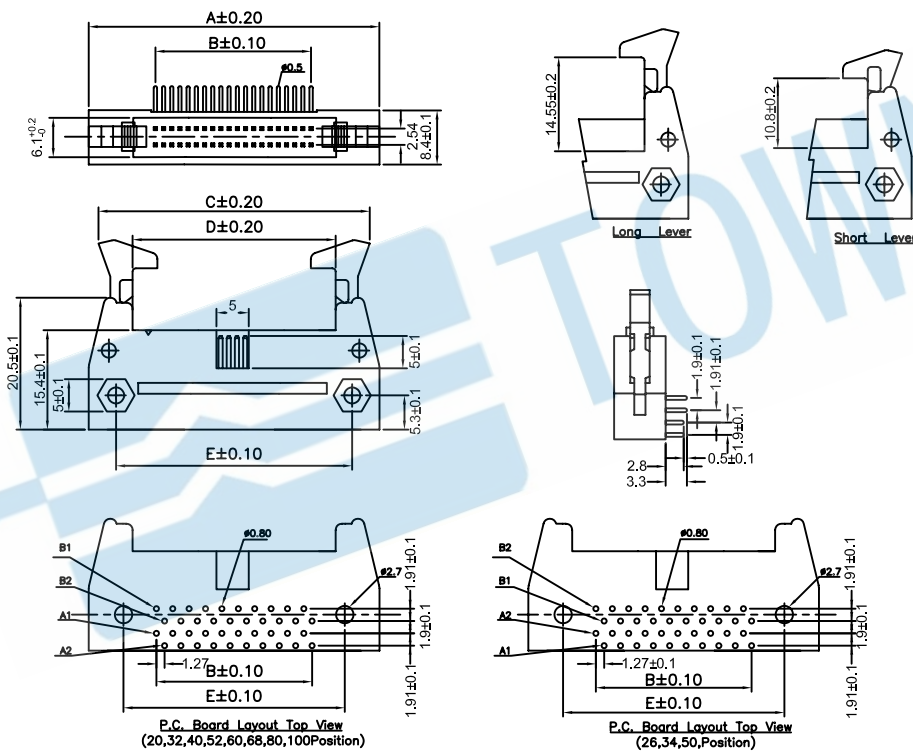
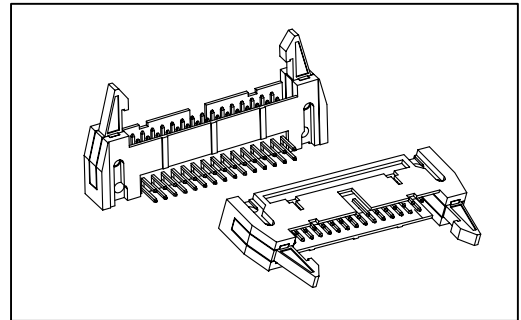


# 0.05"X0.1"(1.27X2.54mm) Shrouded Header

## Dual Row 20 to 100 Contacts Straight And Right Angle Type

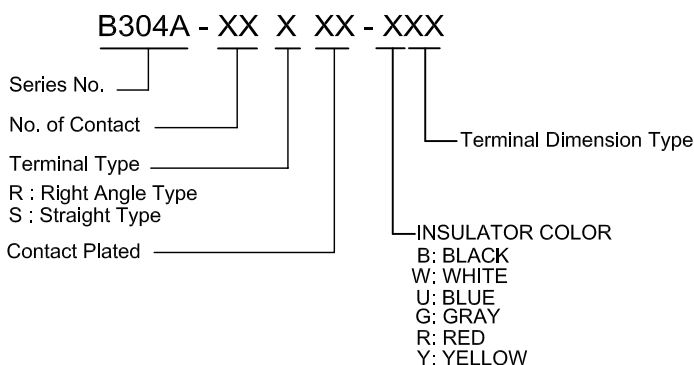
### SPECIFICATION

Current Rating	: 3 Amp
Insulator Resistance	: 1000 Megohms min.
Contact Resistance	: 20 Milliohms Max.
Dielectric Withstanding	: AC 500 V
Operating Temperature	: -40°C ~ +105°C
Contact Material	: Phosphor Bronze or Brass
Insulator Material	: Polyester, UL 94V-0
	Standard : P.B.T.
Contact Plated	: Full Gold, Full Tin, Selective Plated
Standard	: Gold Flash all Over Nickel



Contacts	Dimension				
	A	B	C	D	E
20P	32.36	11.43	29.35	18.75	21.59
26P	36.18	15.24	33.16	22.56	25.40
32P	39.98	19.05	36.97	26.37	29.21
34P	41.25	20.32	38.24	27.64	30.48
40P	45.06	24.13	42.05	31.45	34.29
50P	51.41	30.48	48.40	37.80	40.64
52P	52.68	31.75	49.67	39.07	41.91
60P	57.76	36.83	54.75	44.15	46.99
68P	62.84	41.91	59.83	49.23	52.07
80P	70.46	48.53	67.45	56.85	59.69
100P	83.16	62.23	80.25	69.55	72.39

### HOW TO ORDER



Full Gold Type	Selective Plated Type Gold Plated on Contact Area Tin Plated on Solder Area	Full Tin Type
GF : Gold Flash	HF : Gold Flash, Tin 100u"	T1 : Tin 100u"
G1 : Gold 3u"	H1 : Gold 3u", Tin 100u"	T2 : Tin 200u"
G2 : Gold 5u"	H2 : Gold 5u", Tin 100u"	
G3 : Gold 10u"	H3 : Gold 10u", Tin 100u"	
G4 : Gold 15u"	H4 : Gold 15u", Tin 100u"	
G5 : Gold 20u"	H5 : Gold 20u", Tin 100u"	
G6 : Gold 30u"	H6 : Gold 30u", Tin 100u"	