

0.05"X0.05"(1.27X1.27mm) Box Header

Dual Row 10 to 100 Contacts Four Wall Shrouded

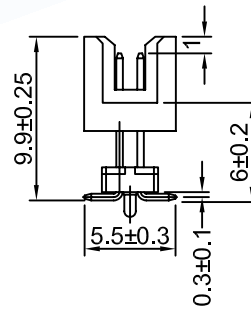
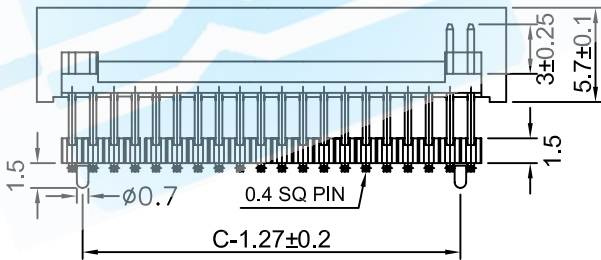
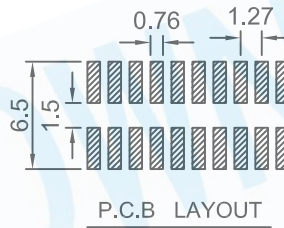
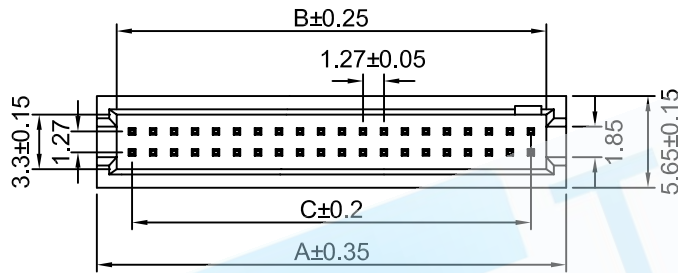
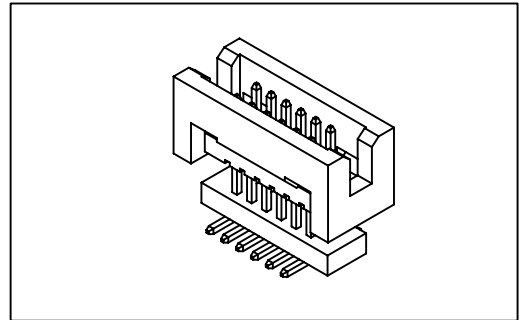
SMT Type Profile : 5.7mm

SPECIFICATION

Current Rating : 1 Amp
 Insulator Resistance : 5000 Megohms min.
 Contact Resistance : 20 Milliohms Max.
 Dielectric Withstanding : AC 500 V
 Operating Temperature : -40°C ~ +105°C
 Max Processing Temp : 230°C For 30~60 Seconds
 (260°C For 10 Seconds)

Contact Material : Brass
 Insulator Material : Polyester, UL 94V-0
 Standard : NY-6T

Contact Plated : Full Gold, Full Tin, Selective Plated
 Standard : Gold Flash all Over Nickel



| NO.OF PINS | DIMENSIONS | | | |
|------------|------------|-------|-------|-------|
| | A | B | C | D |
| 10P | 9.41 | 6.99 | 5.08 | 8.26 |
| 12P | 10.68 | 8.26 | 6.35 | 9.53 |
| 14P | 11.95 | 9.53 | 7.62 | 10.8 |
| 16P | 13.22 | 10.8 | 8.89 | 12.07 |
| 18P | 14.49 | 12.07 | 10.16 | 13.34 |
| 20P | 15.76 | 13.34 | 11.43 | 14.61 |
| 22P | 17.03 | 14.61 | 12.7 | 15.88 |
| 24P | 18.3 | 15.88 | 13.97 | 17.15 |
| 26P | 19.57 | 17.15 | 15.24 | 18.42 |
| 28P | 20.84 | 18.42 | 16.51 | 19.69 |
| 30P | 22.11 | 19.69 | 17.78 | 20.96 |
| 32P | 23.38 | 20.96 | 19.05 | 22.23 |
| 34P | 24.65 | 22.23 | 20.32 | 23.5 |
| 36P | 25.92 | 23.5 | 21.59 | 24.77 |
| 38P | 27.19 | 24.77 | 22.86 | 26.04 |
| 40P | 28.46 | 26.04 | 24.13 | 27.31 |
| 42P | 29.73 | 27.31 | 25.4 | 28.58 |
| 44P | 31 | 28.58 | 26.67 | 29.85 |
| 46P | 32.27 | 29.85 | 27.94 | 31.12 |
| 48P | 33.54 | 31.12 | 29.21 | 32.39 |
| 50P | 34.81 | 32.39 | 30.48 | 33.66 |
| 52P | 36.08 | 33.66 | 31.75 | 34.93 |
| 54P | 37.35 | 34.93 | 33.02 | 36.2 |
| 56P | 38.62 | 36.2 | 34.29 | 37.47 |
| 58P | 39.89 | 37.47 | 35.56 | 38.74 |
| 60P | 41.16 | 38.74 | 36.83 | 40.01 |
| 62P | 42.43 | 40.01 | 38.1 | 41.28 |
| 64P | 43.7 | 41.28 | 39.37 | 42.55 |
| 66P | 44.97 | 42.55 | 40.64 | 43.82 |
| 68P | 46.24 | 43.82 | 41.91 | 45.09 |
| 70P | 47.51 | 45.09 | 43.18 | 46.36 |
| 72P | 48.78 | 46.36 | 44.45 | 47.63 |
| 74P | 50.05 | 47.63 | 45.72 | 48.9 |
| 76P | 51.32 | 48.9 | 46.99 | 50.17 |
| 78P | 52.59 | 50.17 | 48.26 | 51.44 |
| 80P | 53.86 | 51.44 | 49.53 | 52.71 |
| 82P | 55.13 | 52.71 | 50.8 | 53.98 |
| 84P | 56.4 | 53.98 | 52.07 | 55.25 |
| 86P | 57.67 | 55.25 | 53.34 | 56.52 |
| 88P | 58.94 | 56.52 | 54.61 | 57.79 |
| 90P | 60.21 | 57.79 | 55.88 | 59.06 |
| 92P | 61.48 | 59.06 | 57.15 | 60.33 |
| 94P | 62.75 | 60.33 | 58.42 | 61.6 |
| 96P | 64.02 | 61.6 | 59.69 | 62.87 |
| 98P | 65.29 | 62.87 | 60.96 | 64.14 |
| 100P | 66.56 | 64.14 | 62.23 | 65.41 |

HOW TO ORDER

B304B1 - XX M XX-XXX-X

Series No. _____
 No. of Contact _____
 Terminal Type _____
 M : SMT Type
 Contact Plated _____
 Packing Type
 A : In Tube
 B : W/Cap(Clip) In Tube
 C : W/Cap(Clip) In Tape & Reel
 Terminal Dimension Type
 0 : W/O LOCATING PEG
 1 : With LOCATING PEG

| Full Gold Type | Selective Plated Type Gold Plated on Contact Area Tin Plated on Solder Area | Full Tin Type |
|-----------------|-----------------------------------------------------------------------------------|----------------|
| GF : Gold Flash | HF : Gold Flash, Tin 100u" | T1 : Tin 100u" |
| G1 : Gold 3u" | H1 : Gold 3u", Tin 100u" | T2 : Tin 200u" |
| G2 : Gold 5u" | H2 : Gold 5u", Tin 100u" | |
| G3 : Gold 10u" | H3 : Gold 10u", Tin 100u" | |
| G4 : Gold 15u" | H4 : Gold 15u", Tin 100u" | |
| G5 : Gold 20u" | H5 : Gold 20u", Tin 100u" | |
| G6 : Gold 30u" | H6 : Gold 30u", Tin 100u" | |