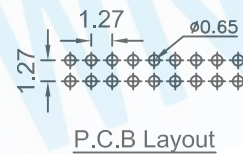
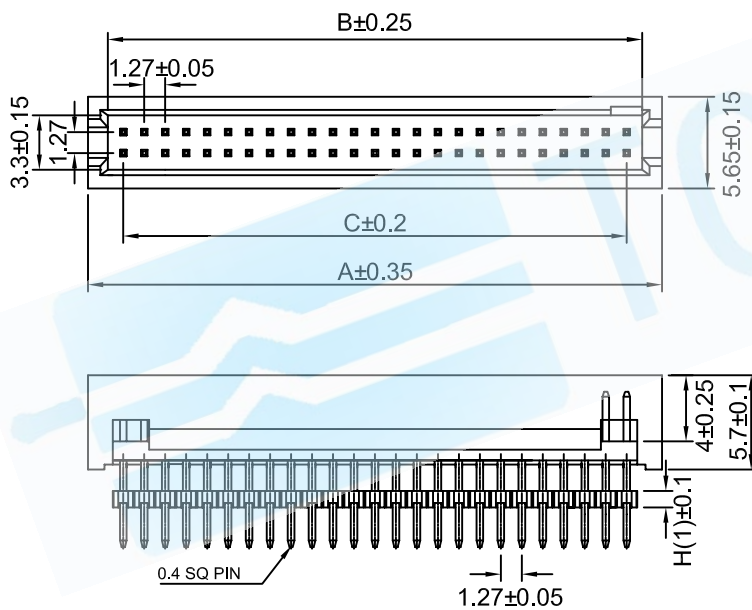
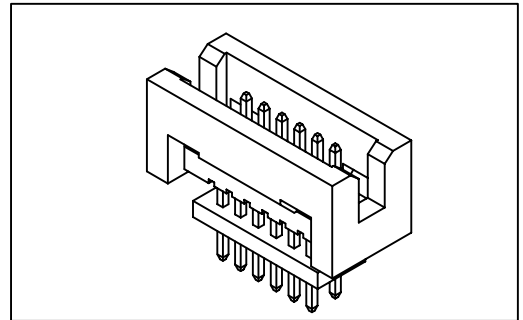


0.05"X0.05"(1.27X1.27mm) Box Header

**Dual Row 10 to 100 Contacts Four Wall Shrouded
Straight And Right Angle Type Profile : 5.7mm**

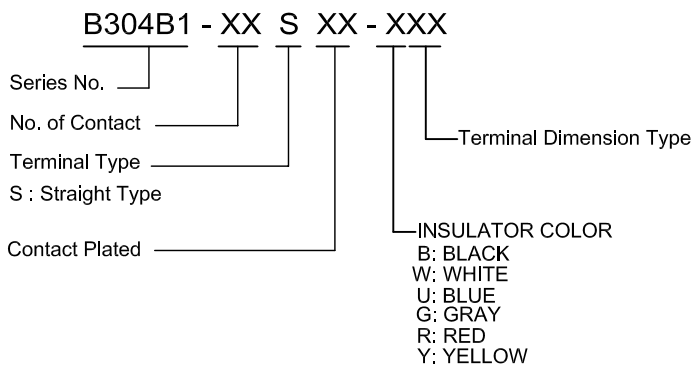
SPECIFICATION

Current Rating	: 1 Amp
Insulator Resistance	: 1000 Megohms min.
Contact Resistance	: 20 Milliohms Max.
Dielectric Withstanding	: AC 500 V
Operating Temperature	: -40°C ~ +105°C
Max Processing Temp	: 230°C For 30~60 Seconds (260°C For 10 Seconds)
Contact Material	: Brass
Insulator Material	: Polyester, UL 94V-0 Standard : Nylon-6T
Contact Plated	: Full Gold, Full Tin, Selective Plated
Standard	: Gold Flash all Over Nickel



NO.OF PINS	DIMENSIONS			
	A	B	C	D
10P	9.41	6.99	5.08	8.26
12P	10.68	8.26	6.35	9.53
14P	11.95	9.53	7.62	10.8
16P	13.22	10.8	8.89	12.07
18P	14.49	12.07	10.16	13.34
20P	15.76	13.34	11.43	14.61
22P	17.03	14.61	12.7	15.88
24P	18.3	15.88	13.97	17.15
26P	19.57	17.15	15.24	18.42
28P	20.84	18.42	16.51	19.69
30P	22.11	19.69	17.78	20.96
32P	23.38	20.96	19.05	22.23
34P	24.65	22.23	20.32	23.5
36P	25.92	23.5	21.59	24.77
38P	27.19	24.77	22.86	26.04
40P	28.46	26.04	24.13	27.31
42P	29.73	27.31	25.4	28.58
44P	31	28.58	26.67	29.85
46P	32.27	29.85	27.94	31.12
48P	33.54	31.12	29.21	32.39
50P	34.81	32.39	30.48	33.66
52P	36.08	33.66	31.75	34.93
54P	37.35	34.93	33.02	36.2
56P	38.62	36.2	34.29	37.47
58P	39.89	37.47	35.56	38.74
60P	41.16	38.74	36.83	40.01
62P	42.43	40.01	38.1	41.28
64P	43.7	41.28	39.37	42.55
66P	44.97	42.55	40.64	43.82
68P	46.24	43.82	41.91	45.09
70P	47.51	45.09	43.18	46.36
72P	48.78	46.36	44.45	47.63
74P	50.05	47.63	45.72	48.9
76P	51.32	48.9	46.99	50.17
78P	52.59	50.17	48.26	51.44
80P	53.86	51.44	49.53	52.71
82P	55.13	52.71	50.8	53.98
84P	56.4	53.98	52.07	55.25
86P	57.67	55.25	53.34	56.52
88P	58.94	56.52	54.61	57.79
90P	60.21	57.79	55.88	59.06
92P	61.48	59.06	57.15	60.33
94P	62.75	60.33	58.42	61.6
96P	64.02	61.6	59.69	62.87
98P	65.29	62.87	60.96	64.14
100P	66.56	64.14	62.23	65.41

HOW TO ORDER



Full Gold Type	Selective Plated Type Gold Plated on Contact Area Tin Plated on Solder Area	Full Tin Type
GF : Gold Flash	HF : Gold Flash, Tin 100u"	T1 : Tin 100u"
G1 : Gold 3u"	H1 : Gold 3u", Tin 100u"	T2 : Tin 200u"
G2 : Gold 5u"	H2 : Gold 5u", Tin 100u"	
G3 : Gold 10u"	H3 : Gold 10u", Tin 100u"	
G4 : Gold 15u"	H4 : Gold 15u", Tin 100u"	
G5 : Gold 20u"	H5 : Gold 20u", Tin 100u"	
G6 : Gold 30u"	H6 : Gold 30u", Tin 100u"	