

0.05" X 0.1"(1.27 X 2.54mm) Female Header

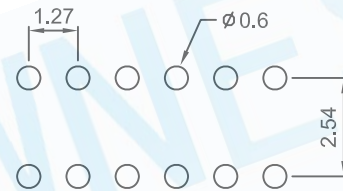
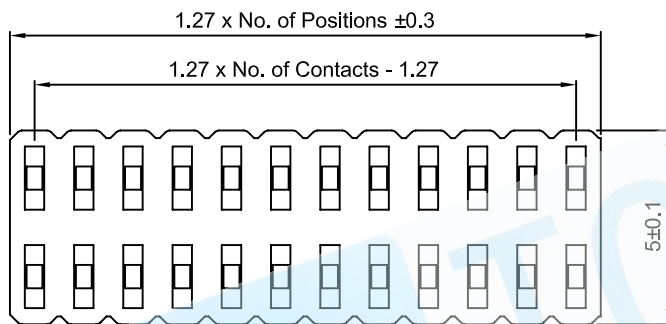
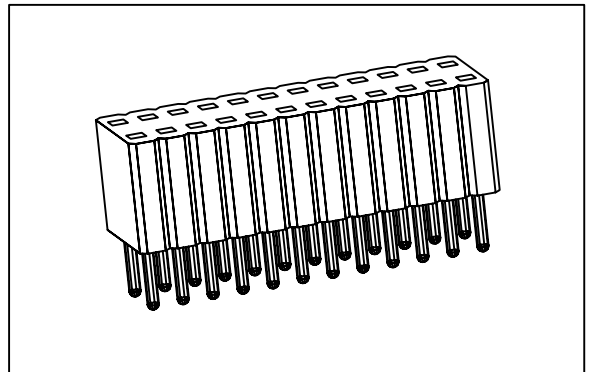
Single Row 02 to 50 Contacts

Dual Row 04 to 100 Contacts

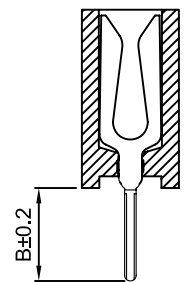
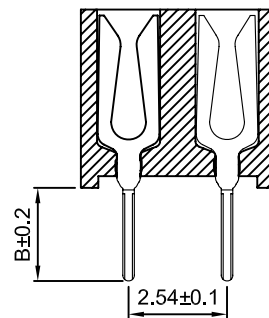
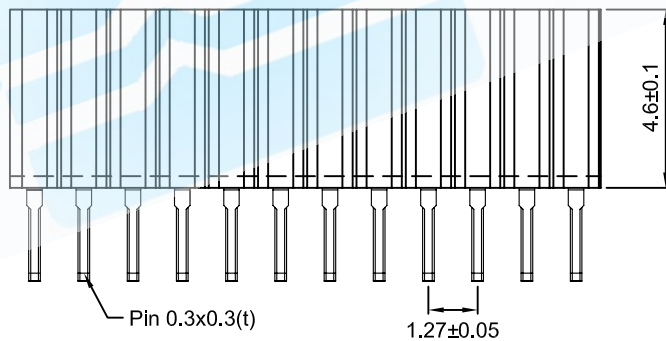
Straight Type Profile : 4.6mm

SPECIFICATION

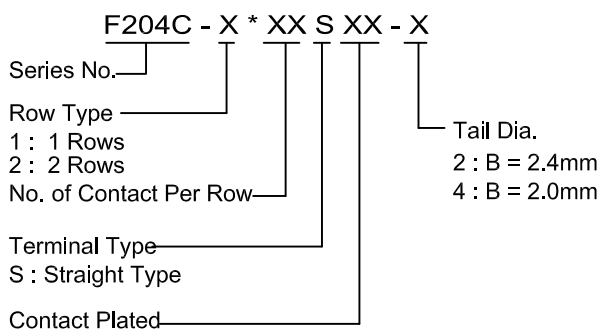
| | |
|-------------------------|---|
| Current Rating | : 1 Amp |
| Insulator Resistance | : 5000 Megohms min. |
| Contact Resistance | : 20 Milliohms Max. |
| Dielectric Withstanding | : AC 500 V |
| Operating Temperature | : -40°C ~ +105°C |
| Max Processing Temp | : 230°C For 30~60 Seconds (260°C For 10 Seconds) |
| Contact Material | : Phosphor Bronze |
| Insulator Material | : Polyester, UL 94V-0 Standard : Nylon-6T |
| Contact Plated | : Full Gold, Full Tin |



P.C.B Layout



HOW TO ORDER



| Full Gold Type | Full Tin Type |
|-----------------|----------------|
| GF : Gold Flash | T1 : Tin 100u" |
| G1 : Gold 3u" | T2 : Tin 200u" |
| G2 : Gold 5u" | |
| G3 : Gold 10u" | |
| G4 : Gold 15u" | |
| G5 : Gold 20u" | |
| G6 : Gold 30u" | |