

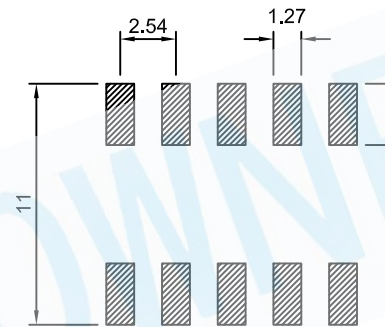
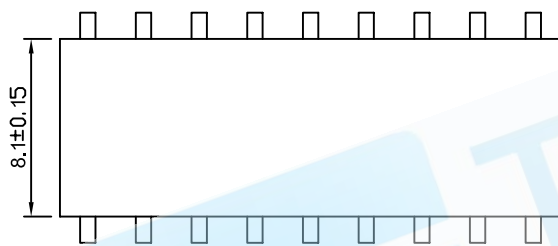
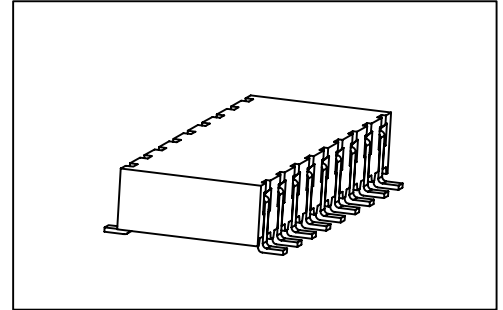
0.1"(2.54mm) Female Header

Single Row 02 to 20 Contacts

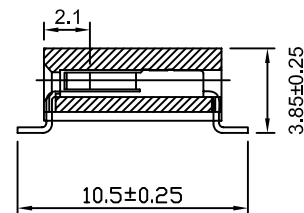
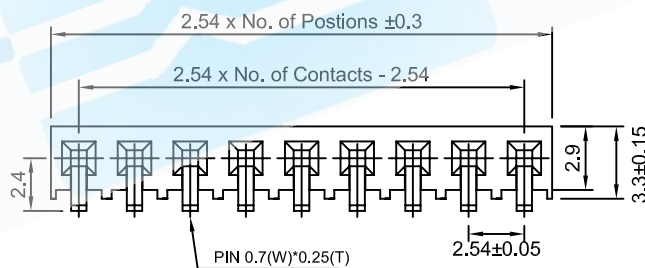
Side Entry SMT Type Profile : 3.3mm

SPECIFICATION

Current Rating	: 3 Amp
Insulator Resistance	: 5000 Megohms min.
Contact Resistance	: 20 Milliohms Max.
Dielectric Withstanding	: AC 500 V
Operating Temperature	: -40°C ~ +105°C
Max Processing Temp	: 230°C For 30~60 Seconds (260°C For 10 Seconds)
Contact Material	: Phosphor Bronze
Insulator Material	: Polyester, UL 94V-0 Standard : Nylon-6T
Contact Plated	: Full Gold, Full Tin, Selective Plated
Standard	: Gold Flash all Over Nickel



P.C.B Layout



HOW TO ORDER

F205A - 1 * XX M XX - X

Series No.	1						
Row Type	1: Single Row						
No. of Contact		XX					
Terminal Type	M: Smt Type		XX				
Contact Plated							X

Packing Type
A : In Tube
B : W/Cap(Clip) In tube
C : W/Film In Tube
D : W/Cap In Tape & Reel
E : W/Film In Tape & Reel

Full Gold Type	Selective Plated Type Gold Plated on Contact Area Tin Plated on Solder Area	Full Tin Type
GF : Gold Flash	HF : Gold Flash, Tin 100u"	T1 : Tin 100u"
G1 : Gold 3u"	H1 : Gold 3u", Tin 100u"	T2 : Tin 200u"
G2 : Gold 5u"	H2 : Gold 5u", Tin 100u"	
G3 : Gold 10u"	H3 : Gold 10u", Tin 100u"	
G4 : Gold 15u"	H4 : Gold 15u", Tin 100u"	
G5 : Gold 20u"	H5 : Gold 20u", Tin 100u"	
G6 : Gold 30u"	H6 : Gold 30u", Tin 100u"	