

0.1"(2.54mm) Female Header

Dual Row 04 to 80 Contacts Straight Type Elevated

SPECIFICATION

Current Rating	: 3 Amp
Insulator Resistance	: 1000 Megohms min.
Contact Resistance	: 20 Milliohms Max.
Dielectric Withstanding	: AC 500 V
Operating Temperature	: -40°C ~ +105°C
Contact Material	: Phosphor Bronze
Insulator Material	: Polyester, UL 94V-0 Standard : P.B.T.
Contact Plated	: Full Gold, Full Tin, Selective Plated
Standard	: Gold Flash all Over Nickel

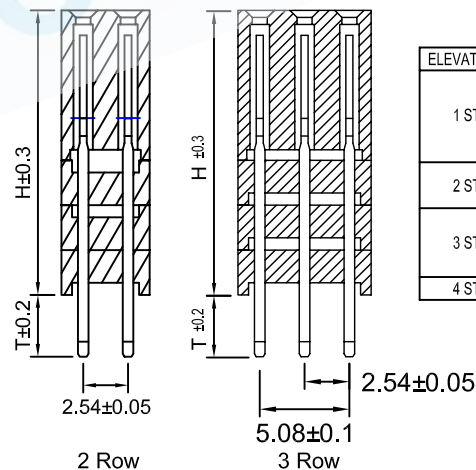
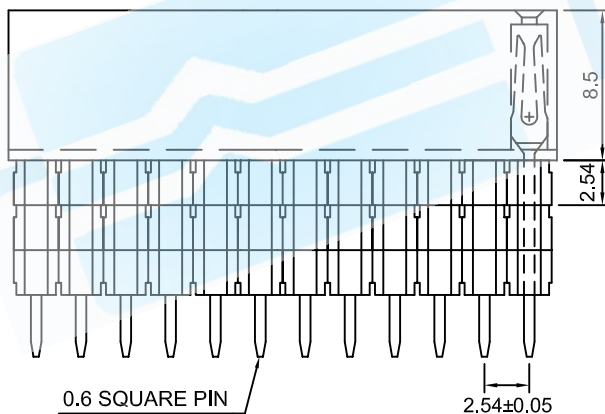
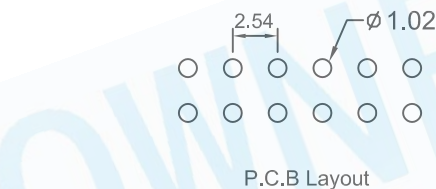
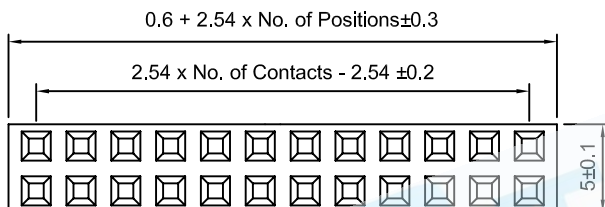
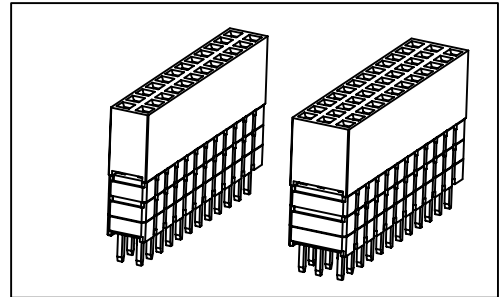
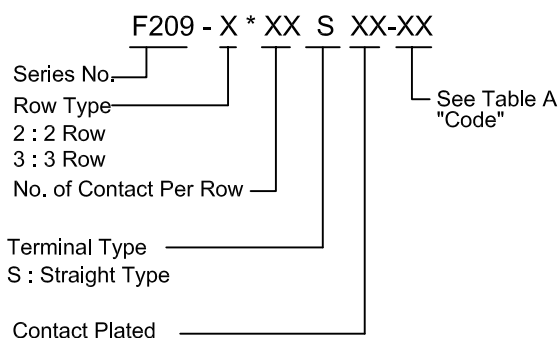


Table A

ELEVATED STACK	CODE	H	T
1 STACK	1A	11.04	7.38
	1B	11.04	12.20
	1C	11.04	2.90
	1D	11.04	2.30
2 STACKS	2A	13.58	4.84
	2B	13.58	9.65
3 STACKS	3A	16.12	2.30
	3B	16.12	7.10
	3E	16.12	3.50
4 STACKS	4B	18.66	4.60

HOW TO ORDER



Full Gold Type	Selective Plated Type Gold Plated on Contact Area Tin Plated on Solder Area	Full Tin Type
GF : Gold Flash	HF : Gold Flash, Tin 100u"	T1 : Tin 100u"
G1 : Gold 3u"	H1 : Gold 3u", Tin 100u"	T2 : Tin 200u"
G2 : Gold 5u"	H2 : Gold 5u", Tin 100u"	
G3 : Gold 10u"	H3 : Gold 10u", Tin 100u"	
G4 : Gold 15u"	H4 : Gold 15u", Tin 100u"	
G5 : Gold 20u"	H5 : Gold 20u", Tin 100u"	
G6 : Gold 30u"	H6 : Gold 30u", Tin 100u"	