

0.05"(1.27mm) Female Header

Single Row 02 to 50 Contacts

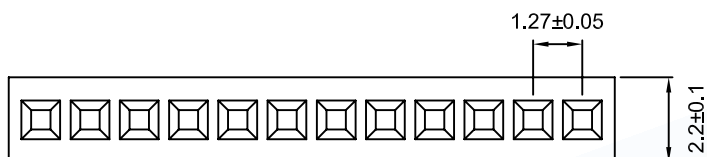
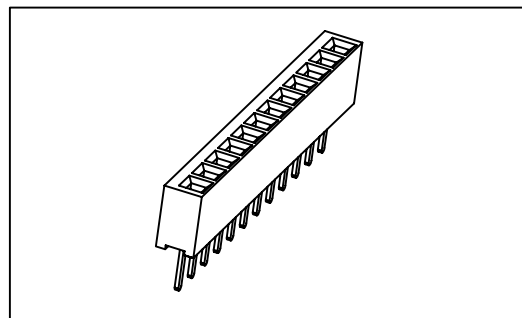
Straight Type Profile : 4.3mm

SPECIFICATION

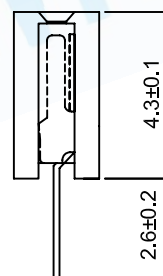
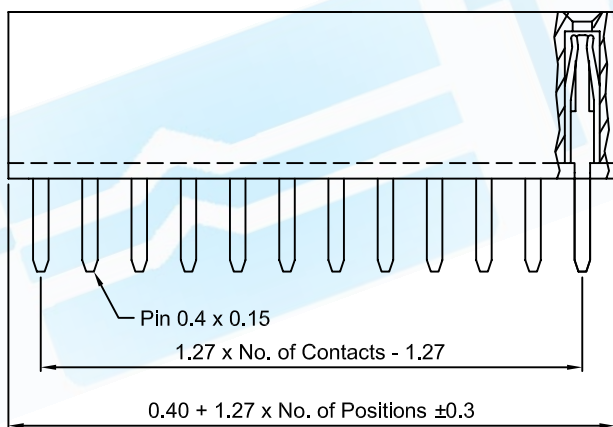
Current Rating : 1 Amp
 Insulator Resistance : 5000 Megohms min.
 Contact Resistance : 20 Milliohms Max.
 Dielectric Withstanding : AC 500 V
 Operating Temperature : -40°C ~ +105°C
 Max Processing Temp : 230°C For 30~60 Seconds
 (260°C For 10 Seconds)

Contact Material : Phosphor Bronze
 Insulator Material : Polyester, UL 94V-0
 Standard : Nylon-6T

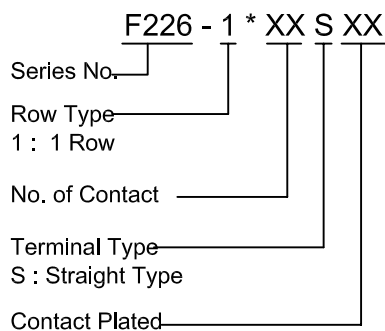
Contact Plated : Full Gold, Full Tin
 Standard : Gold Flash all Over Nickel



P.C.B. Layout



HOW TO ORDER



Full Gold Type	Full Tin Type
GF : Gold Flash	T1 : Tin 100u"
G1 : Gold 3u"	T2 : Tin 200u"
G2 : Gold 5u"	
G3 : Gold 10u"	
G4 : Gold 15u"	
G5 : Gold 20u"	
G6 : Gold 30u"	