

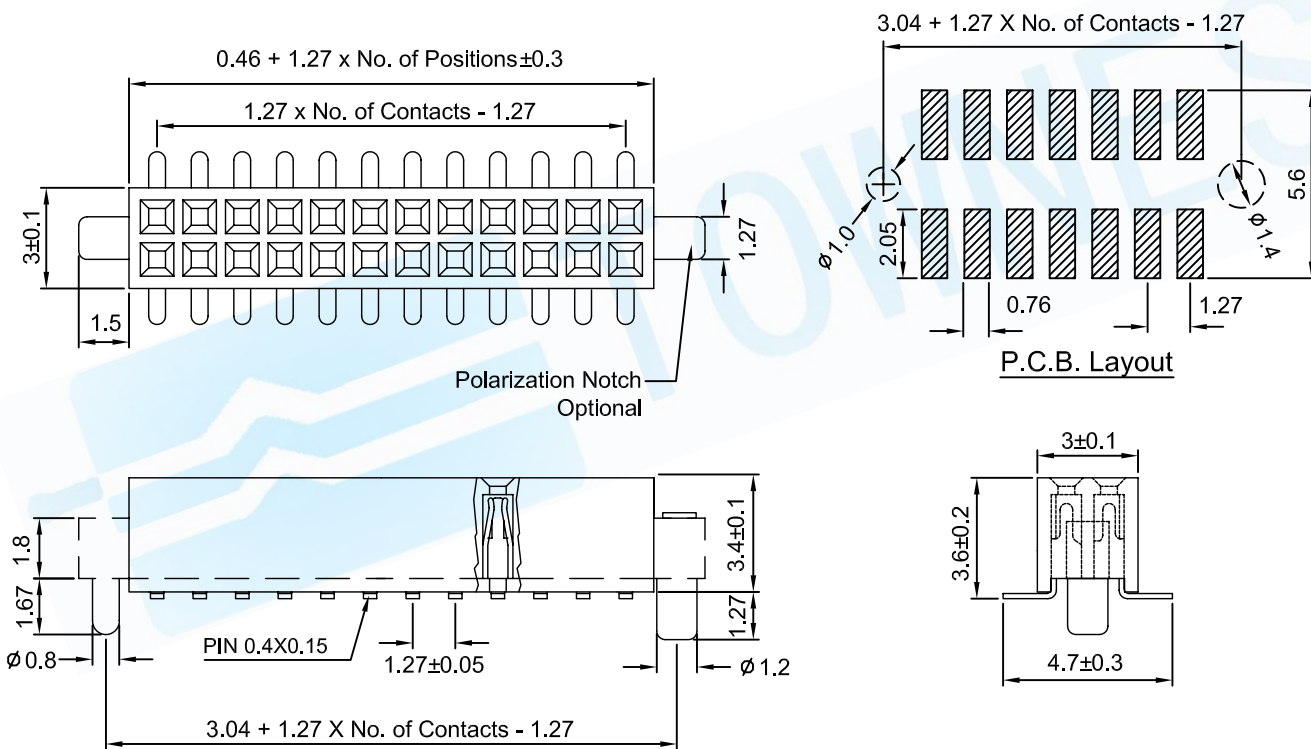
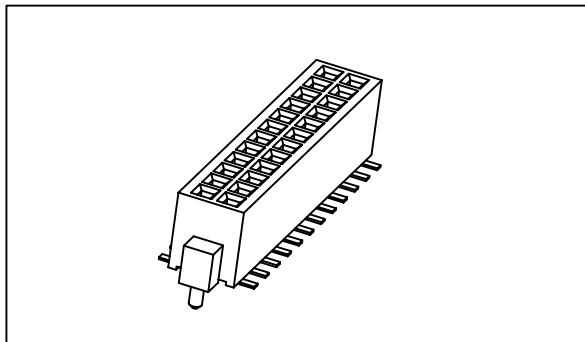
0.05"(1.27mm) Female Header

Dual Row 04 to 100 Contacts

SMT Type Profile : 3.4mm

SPECIFICATION

Current Rating	: 1 Amp
Insulator Resistance	: 1000 Megohms min.
Contact Resistance	: 20 Milliohms Max.
Dielectric Withstanding	: AC 500 V
Operating Temperature	: -40°C ~ +105°C
Max Processing Temp	: 230°C For 30~60 Seconds (260°C For 10 Seconds)
Contact Material	: Phosphor Bronze
Insulator Material	: Polyester, UL 94V-0 Standard : Nylon-6T or L.C.P.
Contact Plated	: Full Gold, Full Tin
Standard	: Gold Flash all Over Nickel



HOW TO ORDER

F226A - 2 * XX M XX -X X	
Series No.	PACKING TYPE
Row Type	A: IN TUBE
2 : 2 Rows	B: W/CAP(CLIP) IN TUBE
No. of Contact Per Row	C: W/FILM IN TUBE
Terminal Type	D: W/CAP IN TAPE & REEL
M : SMT Type	E: W/FILM IN TAPE & REEL
Contact Plated	
BODY OPTION	
0 : Leave Blank	
2 : W/Locating Peg	
& W/O Polarization Notch	

Full Gold Type	Full Tin Type
GF : Gold Flash	T1 : Tin 100u"
G1 : Gold 3u"	T2 : Tin 200u"
G2 : Gold 5u"	
G3 : Gold 10u"	
G4 : Gold 15u"	
G5 : Gold 20u"	
G6 : Gold 30u"	