

# MINI JUMPER SERIES

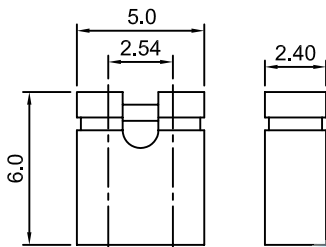
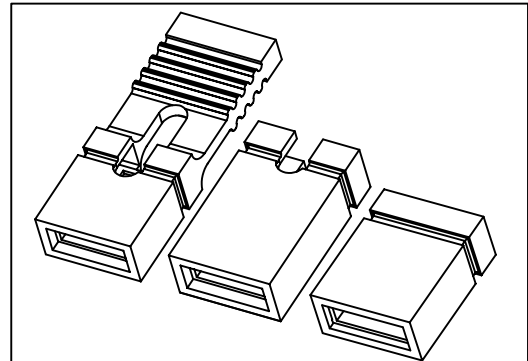
## 2.54mm PITCH OPEN&CLOSE TYPE

### Specifications:

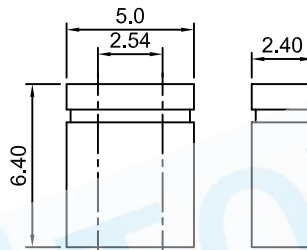
Current Rating:3.0 Amp  
 Voltage Rating:150V AC/DC  
 Contact resistance:20m Ohm Max  
 Insulator resistance:5,000M ohm min.  
 Withstanding Voltage:500V AC/Minute  
 Operating Temperature Range:-40°~+105° C

### Material And Finish

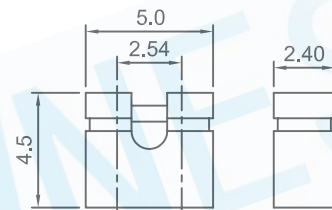
Insulator:Polyester(UL 94V-0)  
 Standard:PBT+30% Glass Fiber  
 Contact:Brass or Phosphor Bronze  
 Contact Plated:Full Gold or Full Tin



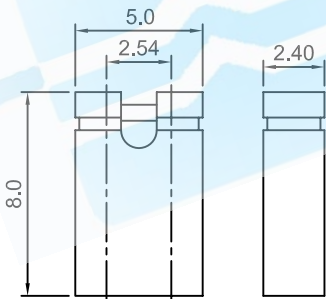
MJ501-OXX-X-X



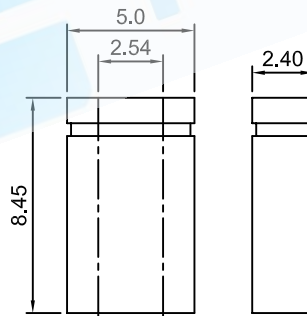
MJ501-CXX-X-X



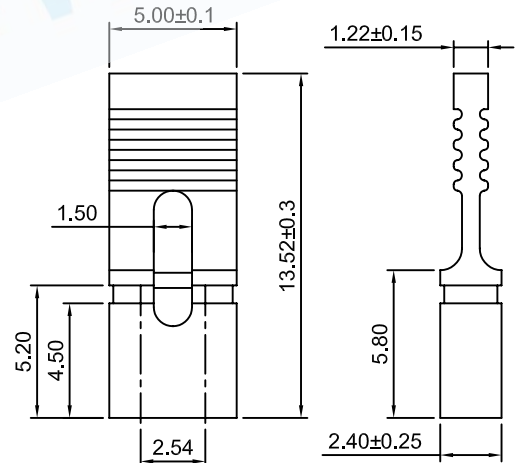
MJ501A-OXX-X-X



MJ501B-OXX-X-X



MJ501C-CXX-X-X



MJ501W/H-CXX-X-X

### Contact Plated

Full Gold Type	Full Tin Type
GF : Gold Flash	T1 : Tin 100u"
G1 : Gold 3u"	T2 : Tin 200u"
G2 : Gold 5u"	
G3 : Gold 10u"	
G4 : Gold 15u"	
G5 : Gold 20u"	
G6 : Gold 30u"	

### Insulator height

Type	height
Standard	6.0(Open)
Standard	6.4(Close)
A	4.5 (Open)
B	8.0 (Open)
C	8.45 (Close)
W/H	13.52(Open)

### Insulator color

K	Black
B	Blue
W	White
E	Green
R	Red
G	Gray
Y	Yellow

### How To Order

MJ501X-X XX-X-X

