

MINI JUMPER SERIES

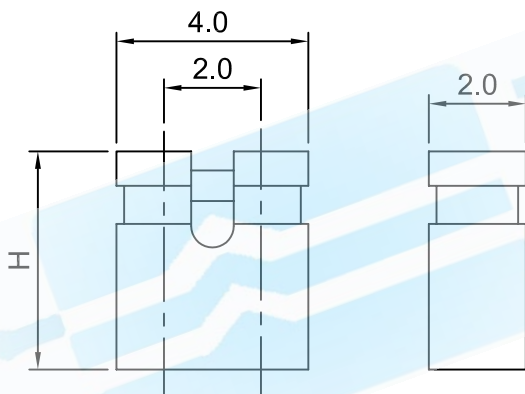
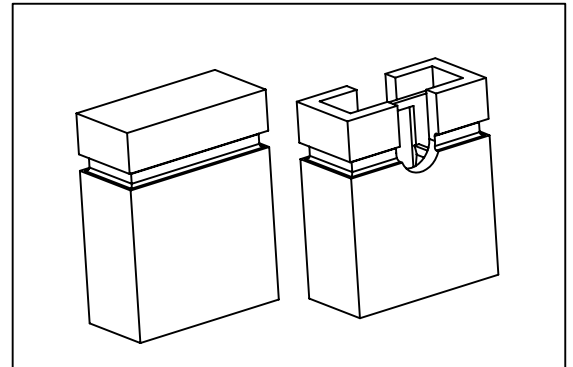
2.0mm PITCH OPEN&CLOSE TYPE

Specifications:

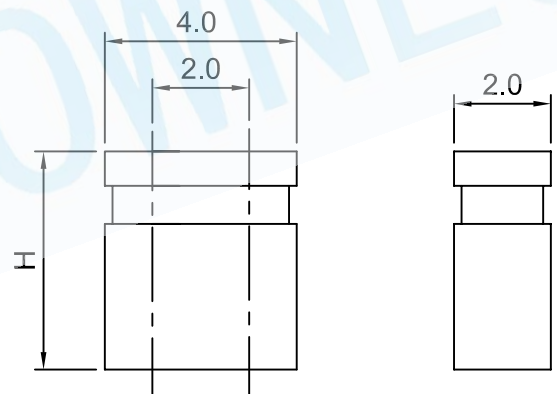
Current Rating:3.0 Amp
 Voltage Rating:150V AC/DC
 Contact resistance:20m Ohm Max
 Insulator resistance:5,000M ohm min.
 Withstanding Voltage:500V AC/Minute
 Operating Temperature Range:-40°~+105° C

Material And Finish

Insulator:Polyester(UL 94V-0)
 Standard:PBT+30% Glass Fiber
 Contact:Brass or Phosphor Bronze
 Contact Plated:Full Gold or Full Tin



Open Type



Close Type

Contact Plated

| Full Gold Type | Full Tin Type |
|-----------------|----------------|
| GF : Gold Flash | T1 : Tin 100u" |
| G1 : Gold 3u" | T2 : Tin 200u" |
| G2 : Gold 5u" | |
| G3 : Gold 10u" | |
| G4 : Gold 15u" | |
| G5 : Gold 20u" | |
| G6 : Gold 30u" | |

Insulator height

| Type | H(height) |
|------|-----------|
| A | 3.5mm |
| B | 4.0mm |
| C | 4.5 mm |
| D | 5.0mm |
| S | 4.45mm |

Insulator color

| | |
|---|--------|
| K | Black |
| B | Blue |
| W | White |
| E | Green |
| R | Red |
| G | Gray |
| Y | Yellow |

How To Order

MJ502X-X XX-X-X

