

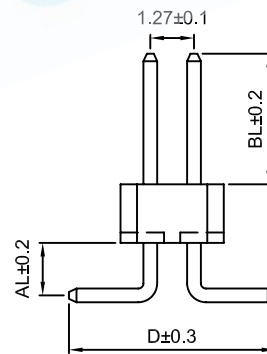
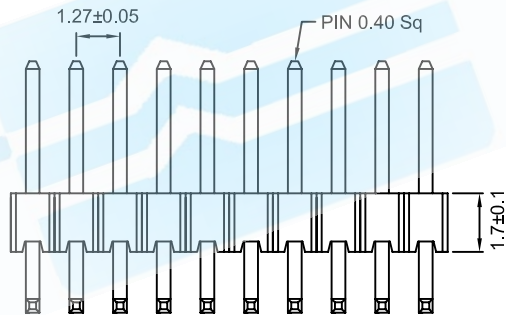
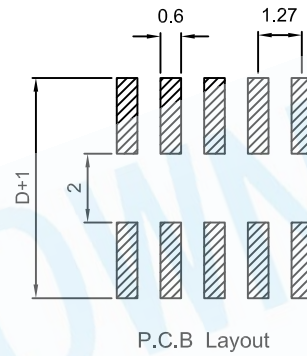
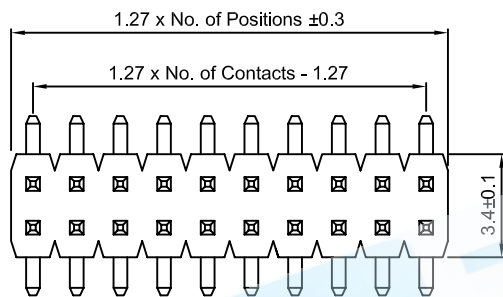
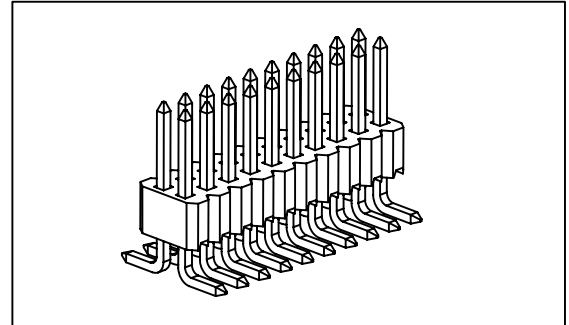
0.05" X 0.05"(1.27 X 1.27mm) Pin Header

Dual Row 06 to 100 Contacts

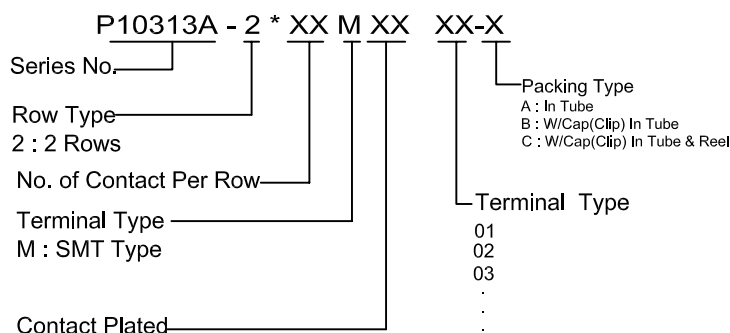
SMT Type Profile : 1.7mm

SPECIFICATION

| | |
|-------------------------|---|
| Current Rating | : 1 Amp |
| Insulator Resistance | : 5000 Megohms min. |
| Contact Resistance | : 20 Milliohms Max. |
| Dielectric Withstanding | : AC 500 V |
| Operating Temperature | : -40° C ~ +105° C |
| Max Processing Temp | : 230° C For 30~60 Seconds (260° C For 10 Seconds) |
| Contact Material | : Brass |
| Insulator Material | : Polyester, UL 94V-0 Standard : Nylon-6T |
| Contact Plated | : Full Gold, Full Tin, Selective Plated |



HOW TO ORDER



| Full Gold Type | Selective Plated Type Gold Plated on Contact Area Tin Plated on Solder Area | Full Tin Type |
|-----------------|---|----------------|
| GF : Gold Flash | HF : Gold Flash, Tin 100u" | T1 : Tin 100u" |
| G1 : Gold 3u" | H1 : Gold 3u", Tin 100u" | T2 : Tin 200u" |
| G2 : Gold 5u" | H2 : Gold 5u", Tin 100u" | |
| G3 : Gold 10u" | H3 : Gold 10u", Tin 100u" | |
| G4 : Gold 15u" | H4 : Gold 15u", Tin 100u" | |
| G5 : Gold 20u" | H5 : Gold 20u", Tin 100u" | |
| G6 : Gold 30u" | H6 : Gold 30u", Tin 100u" | |