

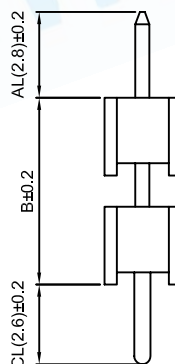
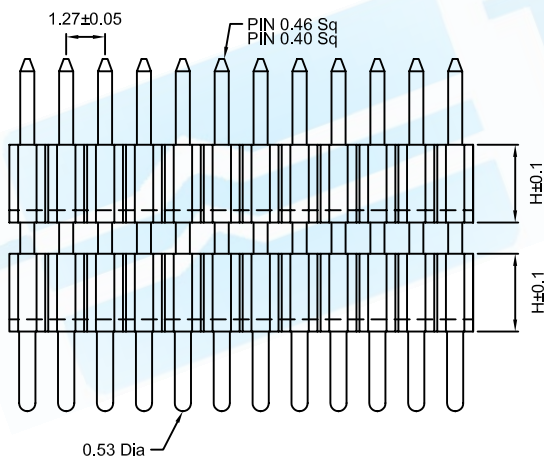
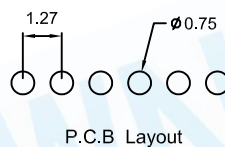
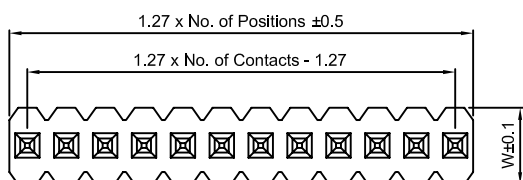
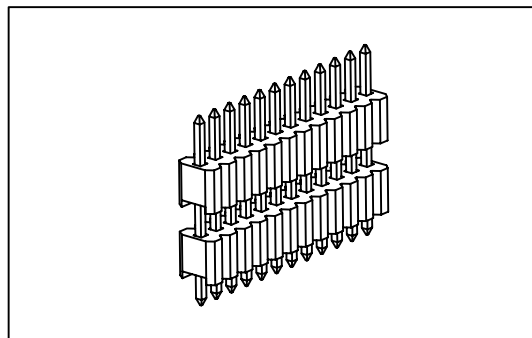
0.05" (1.27mm) Pin Header

Single Row 03 to 32 Contacts

Straight Type

SPECIFICATION

Current Rating	: 1 Amp
Insulator Resistance	: 1000 Megohms min.
Contact Resistance	: 20 Milliohms Max.
Dielectric Withstanding	: AC 500 V
Operating Temperature	: -40°C ~ +105°C
Max Processing Temp	: 230°C For 30~60 Seconds (260°C For 10 Seconds)
Contact Material	: Brass
Insulator Material	: Polyester, UL 94V-0
	Standard : Nylon-6T
Contact Plated	: Full Gold, Full Tin, Selective Plated



HOW TO ORDER

P104A - 3 1 * XX S XX XX-X	
Series No.	A-SQ0.4 B-0.46SQ X-0.45SQ&0.46SQ
Series of No.	1X:H=1.0mm W=2.1mm 2X:H=1.7mm W=2.5mm 3X:H=1.0mm W=2.5mm 4X:H=2.54mm W=2.5mm 5A:H=2.0mm W=2.5mm 6A:H=0.65mm W=2.5mm 7X:H=1.5mm W=2.1mm 8X:H=1.7mm W=2.1mm 9X:H=2.5mm W=2.1mm
3 : P1.27	
Row Type	
1 : 1 Row	
No. of Contact	
Terminal Type	Terminal Type
S : Straight Type	01 : AL=2.6mm BL=2.8mm
Contact Plated	02 03 . .

Full Gold Type	Selective Plated Type Gold Plated on Contact Area Tin Plated on Solder Area	Full Tin Type
GF : Gold Flash	HF : Gold Flash, Tin 100u"	T1 : Tin 100u"
G1 : Gold 3u"	H1 : Gold 3u", Tin 100u"	T2 : Tin 200u"
G2 : Gold 5u"	H2 : Gold 5u", Tin 100u"	
G3 : Gold 10u"	H3 : Gold 10u", Tin 100u"	
G4 : Gold 15u"	H4 : Gold 15u", Tin 100u"	
G5 : Gold 20u"	H5 : Gold 20u", Tin 100u"	
G6 : Gold 30u"	H6 : Gold 30u", Tin 100u"	