

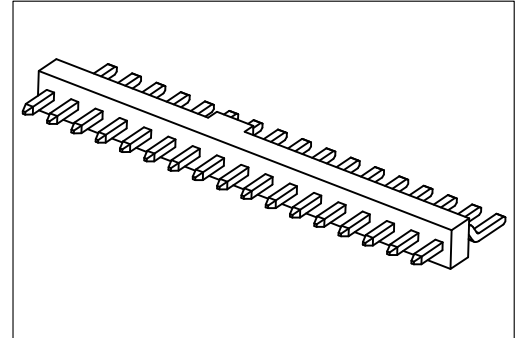
0.039" (1.0mm) Pin Header

Single Row 02 to 50 Contacts

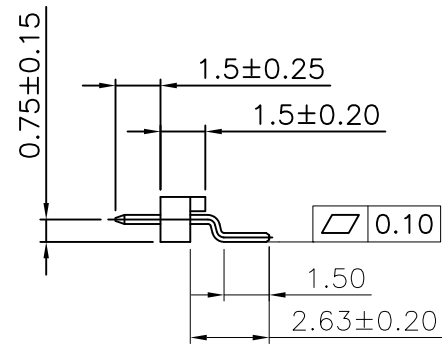
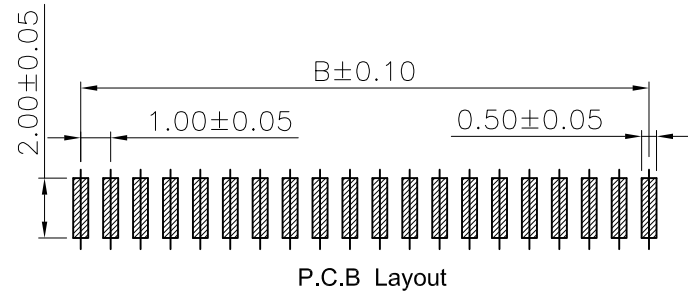
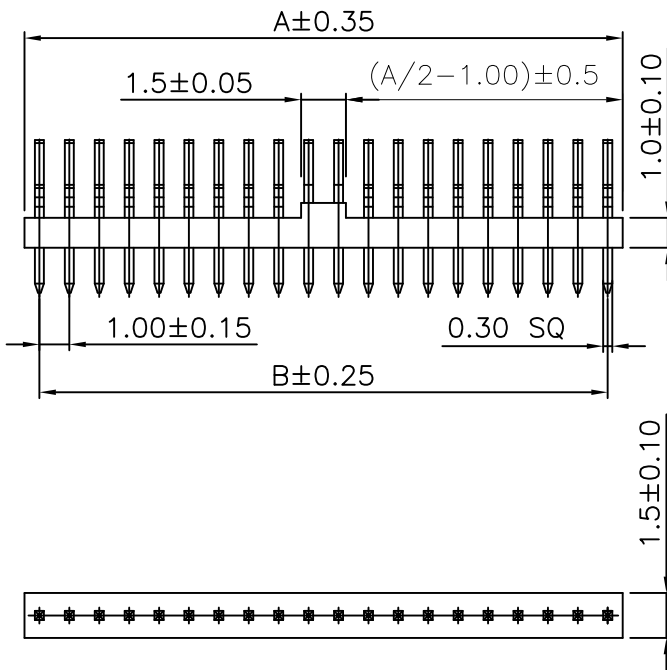
Horizontal SMT Type Profile : 1.0mm

SPECIFICATION

Current Rating	: 1 Amp
Insulator Resistance	: 500 Megohms min.
Contact Resistance	: 30 Milliohms Max.
Dielectric Withstanding	: AC 100 V
Operating Temperature	: -40°C ~ +105°C
Max Processing Temp	: 230°C For 30~60 Seconds (260°C For 10 Seconds)
Contact Material	: Phosphor Bronze
Insulator Material	: Polyester, UL 94V-0 Standard : LCP
Contact Plated	: Full Gold, Full Tin, Selective Plated



No.	A	B
1*02	2.00	1.00
1*03	3.00	2.00
1*04	4.00	3.00
1*05	5.00	4.00
1*06	6.00	5.00
1*07	7.00	6.00
1*08	8.00	7.00
1*09	9.00	8.00
1*10	10.00	9.00
1*11	11.00	10.00
1*12	12.00	11.00
1*13	13.00	12.00
1*14	14.00	13.00
1*15	15.00	14.00
1*16	16.00	15.00
1*17	17.00	16.00
1*18	18.00	17.00
1*19	19.00	18.00
1*20	20.00	19.00
1*21	21.00	20.00
1*22	22.00	21.00
1*23	23.00	22.00
1*24	24.00	23.00
1*25	25.00	24.00
1*26	26.00	25.00
1*27	27.00	26.00
1*28	28.00	27.00
1*29	29.00	28.00
1*30	30.00	29.00
1*31	31.00	30.00
1*32	32.00	31.00
1*33	33.00	32.00
1*34	34.00	33.00
1*35	35.00	34.00
1*36	36.00	35.00
1*37	37.00	36.00
1*38	38.00	37.00
1*39	39.00	38.00
1*40	40.00	39.00
1*41	41.00	40.00
1*42	42.00	41.00
1*43	43.00	42.00
1*44	44.00	43.00
1*45	45.00	44.00
1*46	46.00	45.00
1*47	47.00	46.00
1*48	48.00	47.00
1*49	49.00	48.00
1*50	50.00	49.00



01~25變形量<0.20mm Max.
26~50變形量<0.30mm Max.

HOW TO ORDER

P1083-1xXXVXX-060-LX

Series No.	Packing Type
Row Type	A:In Tube
No. of Contact Per Row	F:In Tape Reel
Terminal Type	Insulator Material
V : Horizontal SMT Type	L:LCP
Contact Plated	Pin Code

Full Gold Type	Selective Plated Type Gold Plated on Contact Area Tin Plated on Solder Area	Full Tin Type
GF : Gold Flash	HF : Gold Flash, Tin 100u"	T1 : Tin 100u"
G1 : Gold 3u"	H1 : Gold 3u", Tin 100u"	T2 : Tin 200u"
G2 : Gold 5u"	H2 : Gold 5u", Tin 100u"	T3 : Tin 150u"
G3 : Gold 10u"	H3 : Gold 10u", Tin 100u"	
G4 : Gold 15u"	H4 : Gold 15u", Tin 100u"	
G5 : Gold 20u"	H5 : Gold 20u", Tin 100u"	
G6 : Gold 30u"	H6 : Gold 30u", Tin 100u"	
G7 : Gold 50u"	H7 : Gold 50u", Tin 100u"	