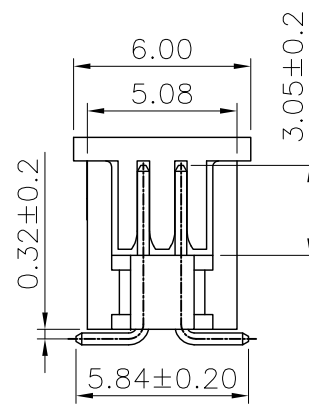
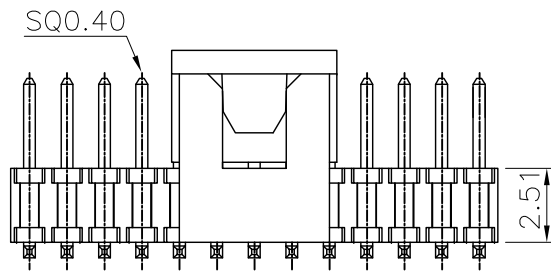
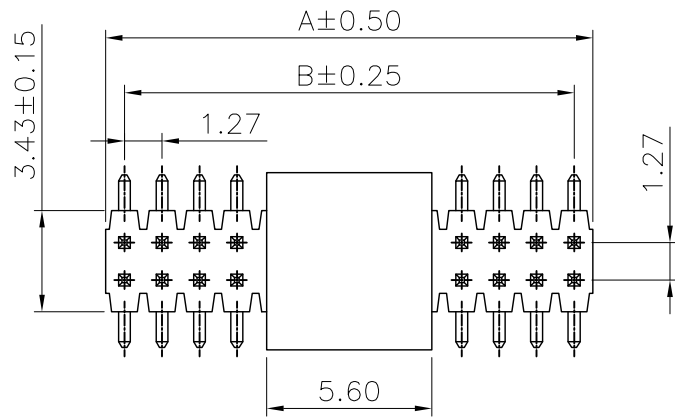


RoHS Compliant

Customer Drawing



Specifications:
 Current Rating:1.0 Amp
 Voltage Rating:100V AC/DC
 Contact resistance:30m Ohm Max
 Insulator resistance:500M ohm min.
 Withstanding Voltage:500V AC/Minute
 Operating Temperature Range:-25~+105°C
 Material And Finish
 Insulator:Nylon6T UL94V-0
 Insulator Color:Black
 Contact:Brass
 Contact Plated:See Contact Plated Tab

How To Order
 P127B-2*XXMXX-079-0X
 Packing
 Contact Plated
 No. of Positions



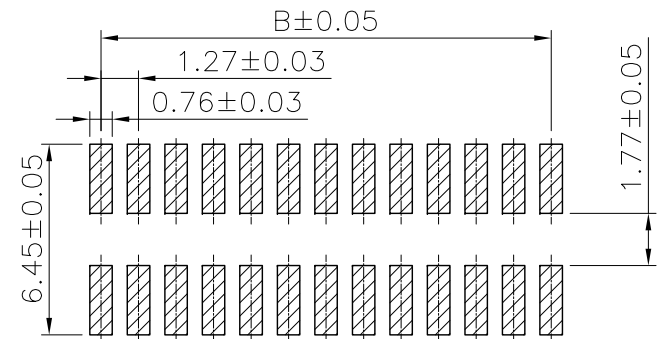
Contact Plated

No.	A	B
2*05	6.35	5.08
2*10	12.70	11.43
2*13	16.51	15.24
2*17	21.59	20.32
2*20	25.40	24.13
2*25	31.75	30.48

Gold Plated		Selective Plated Type			Full Tin Type	
Code	Contact Area	Code	Contact Area	Solder Area	Code	Full Tin
GF	Gold Flash	HF	Gold Flash	Tin 100u"	MT1	Matte Tin 100u"
G1	Gold 3u"	H1	Gold 3u"	Tin 100u"	MT2	Matte Tin 200u"
G2	Gold 5u"	H2	Gold 5u"	Tin 100u"	MT3	Matte Tin 150u"
G3	Gold 10u"	H3	Gold 10u"	Tin 100u"		
G4	Gold 15u"	H4	Gold 15u"	Tin 100u"		
G5	Gold 20u"	H5	Gold 20u"	Tin 100u"		
G6	Gold 30u"	H6	Gold 30u"	Tin 100u"		

Packing

Code	Packing
A	In Tube
B	W/Cap(Clip) In Tube
D	W/Cap In Tape&Reel



Recommended PCB Layout

1.3			
1.2			
1.1	RELEASED	ZhangPanPan	13-Mar-2009
1.0	RELEASED	ZHU HUAN	06-OCT-2008
REV	ECN, NO.	DR.BY	DATE



崧嵐企業有限公司
 TOWNES ENTERPRISE CO.,LTD

x.: ±0.30	x': ±5.0'
x.x: ±0.20	x.x': ±3.0'
x.xx: ±0.15	x.xx': ±1.0'
UNIT: mm	
SCALE: 1:1	SHEET: 1/1

TITLE : 1.27mm Pitch Pin Header, Dual Row, Horizontal SMT Type		A4	
APPD.: Alan Chao	PART NO: P127B-2*XXMXX-079-0X		
CHKD.: Cel Wang	DWG. NO.: RDA081006-009		
DR.: ZhangPanPan	REV.: 1.1	DATE: 13-Mar-2009	