

# PLCC SERIES

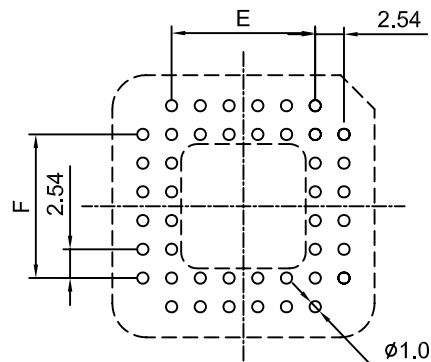
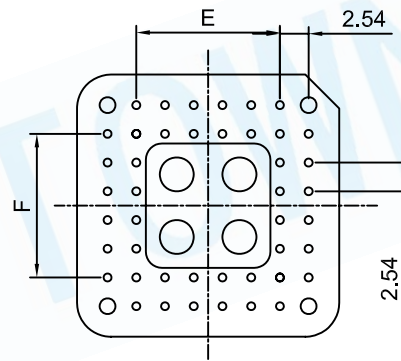
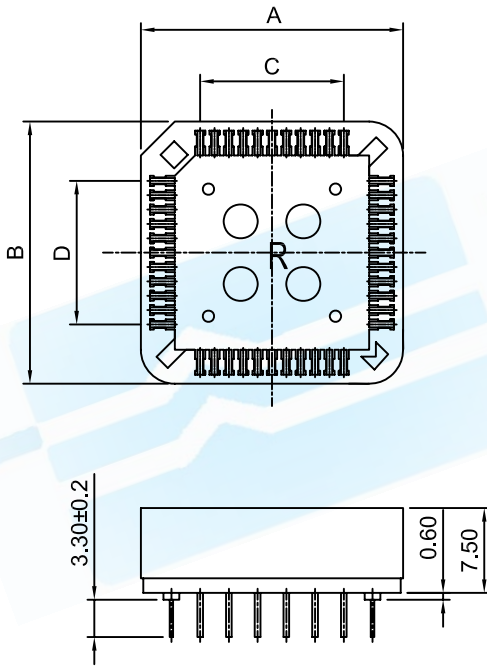
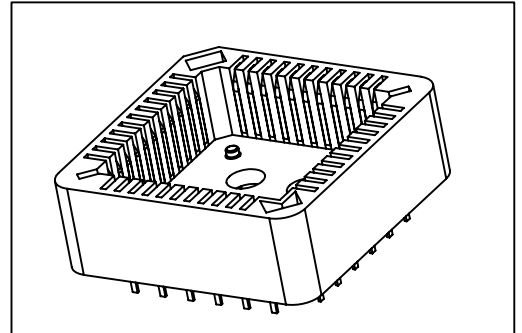
## W/LOCATING PEG DIP TYPE

### Specifications

Current Rating:1.0 Amp  
 Voltage Rating:100V AC/DC  
 Contact resistance:30m Ohm Max  
 Insulator resistance:1,000M ohm min.  
 Withstanding Voltage:500V AC/Minute  
 Operating Temperature Range:-40° ~+105° C

### Material And Finish

Insulator:PPS Or PBT(UL 94V-0)  
 Contact:Phosphor Bronze  
 Contact Plated:Full Tin Plated



Recommended PCB Layout

Dimension Table

Pos	A±0.2	B±0.2	C±0.2	D±0.2	E±0.2	F±0.2
20	15.56	15.56	5.08	5.08	5.08	5.08
28	18.10	18.10	7.62	7.62	7.62	7.62
32	18.10	20.64	7.62	10.16	7.62	10.16
44	23.18	23.18	12.70	12.70	12.70	12.70
52	25.72	25.72	15.24	15.24	15.24	15.24
68	30.80	30.80	20.32	20.32	20.32	20.32
84	35.88	35.88	25.40	25.40	25.40	25.40

### How To Order

P402A- XXXT

