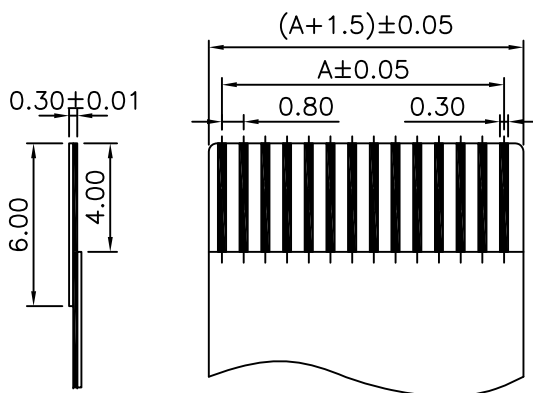
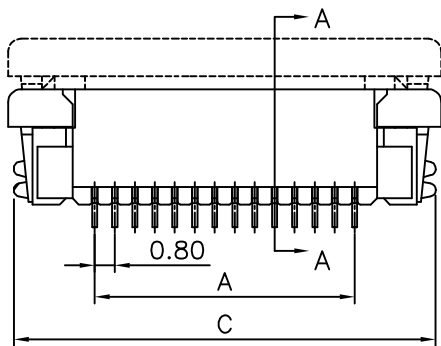
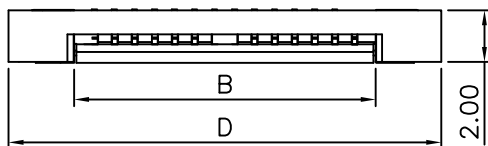


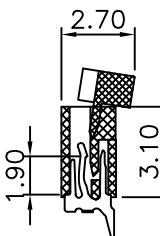
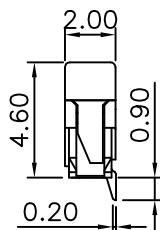
RoHS Compliant

Customer Drawing

| No. | A    | B    | C    | D    |
|-----|------|------|------|------|
| 04  | 2.4  | 4    | 9.5  | 9.9  |
| 05  | 3.2  | 4.8  | 10.3 | 10.7 |
| 06  | 4    | 5.6  | 11.1 | 11.5 |
| 07  | 4.8  | 6.4  | 11.9 | 12.3 |
| 08  | 5.6  | 7.2  | 12.7 | 13.1 |
| 09  | 6.4  | 8    | 13.5 | 13.9 |
| 10  | 7.2  | 8.8  | 14.3 | 14.7 |
| 11  | 8    | 9.6  | 15.1 | 15.5 |
| 12  | 8.8  | 10.4 | 15.9 | 16.3 |
| 13  | 9.6  | 11.2 | 16.7 | 17.1 |
| 14  | 10.4 | 12   | 17.5 | 17.9 |
| 15  | 11.2 | 12.8 | 18.3 | 18.7 |
| 16  | 12   | 13.6 | 19.1 | 19.5 |
| 17  | 12.8 | 14.4 | 19.9 | 20.3 |
| 18  | 13.6 | 15.2 | 20.7 | 21.1 |
| 19  | 14.4 | 16   | 21.5 | 21.9 |
| 20  | 15.2 | 16.8 | 22.3 | 22.7 |
| 21  | 16   | 17.6 | 23.1 | 23.5 |
| 22  | 16.8 | 18.4 | 23.9 | 24.3 |
| 23  | 17.6 | 19.2 | 24.7 | 25.1 |
| 24  | 18.4 | 20   | 25.5 | 25.9 |
| 25  | 19.2 | 20.8 | 26.3 | 26.7 |
| 26  | 20   | 21.6 | 27.1 | 27.5 |
| 27  | 20.8 | 22.4 | 27.9 | 28.3 |
| 28  | 21.6 | 23.2 | 28.7 | 29.1 |
| 29  | 22.4 | 24   | 29.5 | 29.9 |
| 30  | 23.2 | 24.8 | 30.3 | 30.7 |
| 31  | 24   | 25.6 | 31.1 | 31.5 |
| 32  | 24.8 | 26.4 | 31.9 | 32.3 |
| 33  | 25.6 | 27.2 | 32.7 | 33.1 |
| 34  | 26.4 | 28   | 33.5 | 33.9 |
| 35  | 27.2 | 28.8 | 34.3 | 34.7 |



FFC/FPC Dimension  
Thickness 0.30 mm



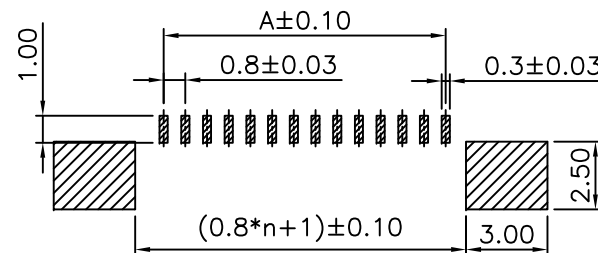
Sec:A-A

Specifications:  
 Current Rating:0.5 Amp  
 Voltage Rating:50V AC/DC  
 Contact resistance:20m Ohm Max  
 Insulator resistance:500M ohm min.  
 Withstanding Voltage:500V AC/Minute  
 Operating Temperature:-20~+85°C  
 Material And Finish  
 Insulator:LCP UL94V-0,Color:White  
 Actuator:PPS UL94V-0,Color:Black  
 Contact:Phosphor Bronze,Tin plated  
 Holddown:Phosphor Bronze.Tin Plating

How To Order

TFP-5XXZH-TT1-ECX

- Packing
- A:In Tube
- F:In Tape Reel
- C:Standard Type
- E:W/Ear
- Tin Plated
- T:Upper Contact
- ZH:W/ZIF&Horizontal
- SMT Type
- No. Of Positions
- 5:0.80mm Pitch



Recommended PCB Layout

|     |                |              |             |
|-----|----------------|--------------|-------------|
| 1.3 |                |              |             |
| 1.2 | Modify Drawing | HuangBingqiu | 21-Jul-2009 |
| 1.1 | Modify Drawing | HuangBingqiu | 13-May-2009 |
| 1.0 | RELEASED       | Zhou songlin | 09-Aug-2007 |
| REV | ECN. NO.       | DR.BY        | DATE        |



崧嵐企業有限公司  
TOWNES ENTERPRISE CO.,LTD

|        |       |        |       |
|--------|-------|--------|-------|
| X.:    | ±0.30 | X.:    | ±5.0° |
| X.X:   | ±0.25 | X.X:   | ±2.0° |
| X.XX:  | ±0.20 | X.XX:  | ±1.0° |
| UNIT:  | mm    |        |       |
| SCALE: | 1:1   | SHEET: | 1/1   |

TITLE : 0.80mm Pitch FPC W/ZIF  
Horizontal SMT Type Upper Contact

A4

|        |              |           |                   |
|--------|--------------|-----------|-------------------|
| APPD.: | Alan Chao    | PART NO.: | TFP-5XXZH-TT1-ECX |
| CHKD.: | Cel Wang     | DWG. NO.: | RDA070810-004(DR) |
| DR.:   | Zhou songlin | REV.:     | 1.2               |
|        |              | DATE:     | 09-Aug-2007       |