

USB SERIES

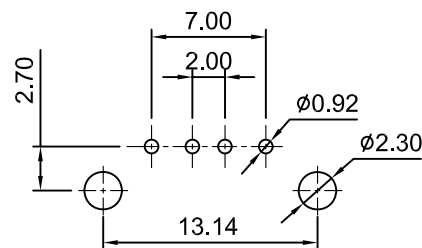
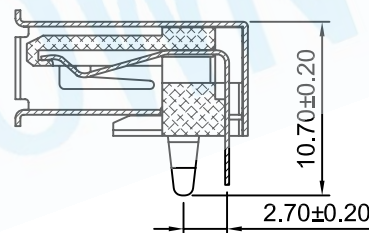
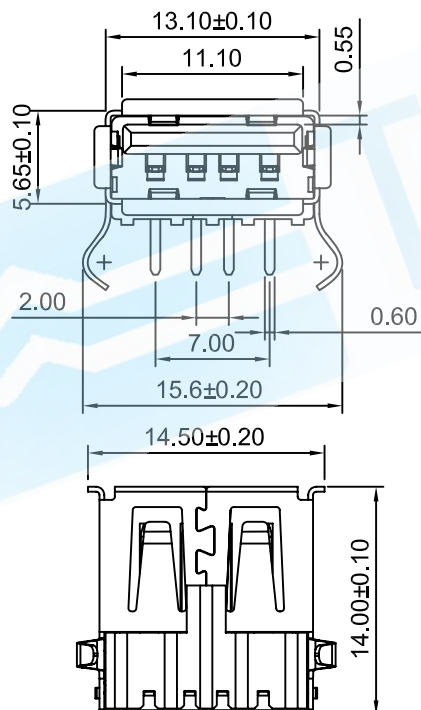
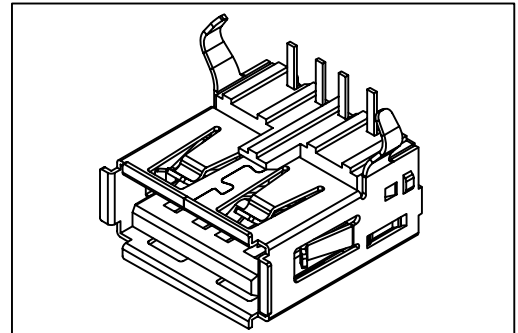
A TYPE FEMALE RIGHT ANGLE TYPE

Specifications

Current Rating: 1.5 Amp
 Voltage Rating: 250V AC/DC
 Contact resistance: 20m Ohm Max
 Insulator resistance: 1,000M ohm min.
 Withstanding Voltage: 500V AC/Minute
 Operating Temperature Range: -40° ~ +85° C

Material And Finish

Insulator: Thermoplastic PBT (UL 94V-0)
 Contact: Copper Alloy
 Contact Plated: Selective Gold plated (standard)
 Shell: Copper Alloy With Nickel Plated



Recommended PCB Layout

Full Gold Type	Selective Plated Type Gold Plated on Contact Area Tin Plated on Solder Area	Full Tin Type
GF : Gold Flash	HF : Gold Flash, Tin 100u"	T1 : Tin 100u"
G1 : Gold 3u"	H1 : Gold 3u", Tin 100u"	T2 : Tin 200u"
G2 : Gold 5u"	H2 : Gold 5u", Tin 100u"	
G3 : Gold 10u"	H3 : Gold 10u", Tin 100u"	
G4 : Gold 15u"	H4 : Gold 15u", Tin 100u"	
G5 : Gold 20u"	H5 : Gold 20u", Tin 100u"	
G6 : Gold 30u"	H6 : Gold 30u", Tin 100u"	

How To Order

USB4S-AR2XX-X

