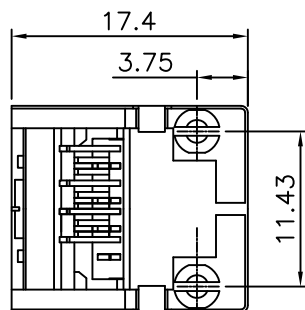
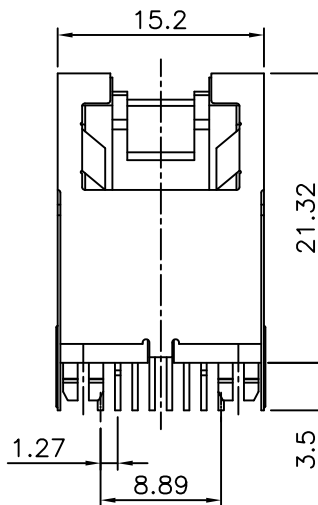
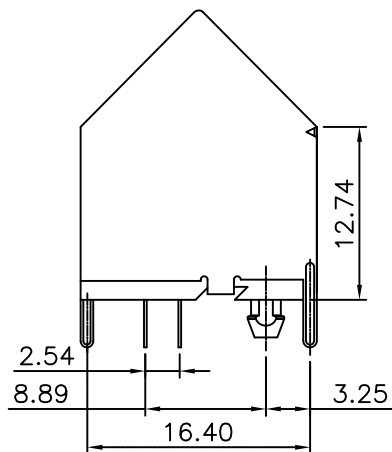


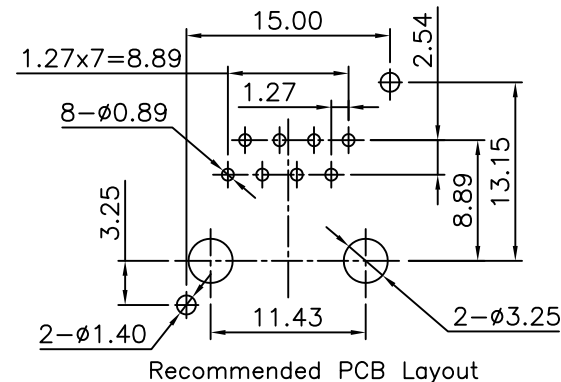
RoHS Compliant

Customer Drawing



Specifications:
 Current Rating:1.5 Amp
 Voltage Rating:125V AC/DC
 Contact resistance:30m Ohm Max
 Insulator resistance:1000M ohm min.@500V DC
 Withstanding Voltage:1000V RMS 50Hz AC/Minute
 Storage Temperature Range:-40~+85°C
 Operatuon Temperature Range:0~+70°C
 Wave oldering Temperature:245±5(5~10 seconds)
 Material And Finish
 Housing Material:Glass Filled Polyester UL94V-0
 Housing Color:Black Gray Yellow or Others
 Contact:Phosphor Bronze 0.35mm
 Contact Plated:Gold plating Over Nickel
 Operating:750 Cycles Min.
 PCB Retention Pre-Solder:1LB Min.
 HOw To Order
 MJCR-005M-88XX -X

Insulaor Color
 B:Black
 G:Gray
 GF:Gold Plated
 No. Of Contact
 8:8 Contact
 No. Of Positions
 8:8 Point
 M:With shielded



1.3			
1.2			
1.1			
1.0	RELEASED	YANGBINBIN	20-Dec-2006
REV.	ECN. NO.	DR. BY	DATE



崧嵐企業有限公司
 TOWNES ENTERPRISE CO.,LTD

MAT'L: FINISH:

X.X: ±0.2	Angles : ±0.5
X.XX: ±0.15	
X.XXX: ±0.075	
UNIT: mm	
SCALE: 1:1	SHEET: 1/1

TITLE : Modular Jack

A4

APPD.:	PRAT NO :MJCR-005M-88XX-X
CHKD.:	DWG. NO.: 20061220-61(DY)
DR.: YANGBINBIN	REV.: 1.0 DATE: 20-Dec-2006