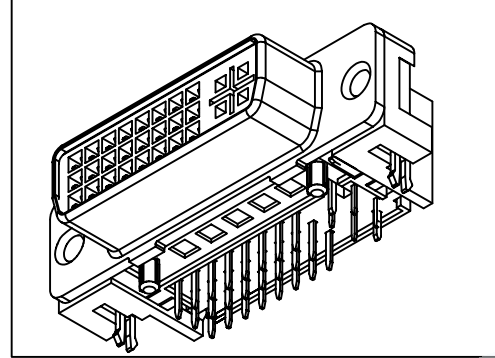


# DVI (Digital Visual Interface)

## 24+5 Contacts Right Angle Type

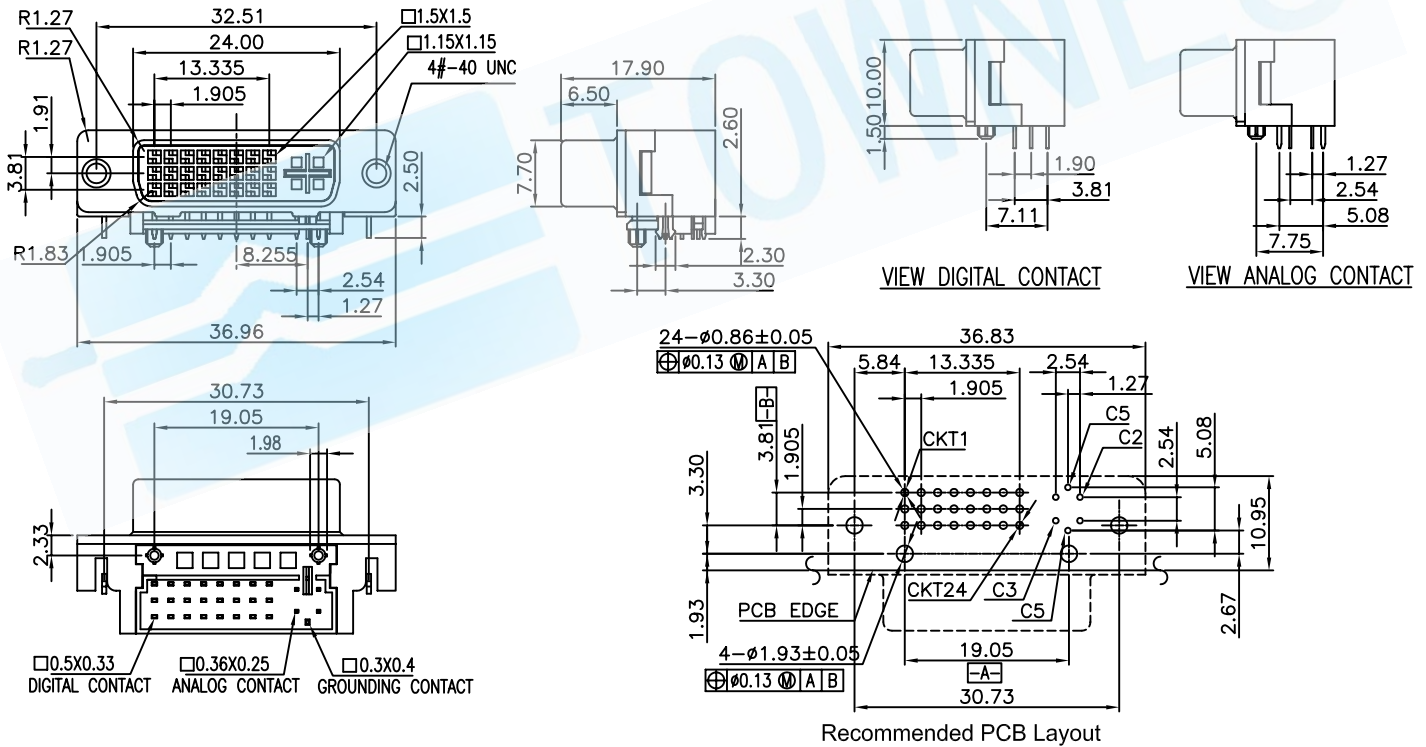
### Specifications

Current Rating:1.0 Amp  
 Voltage Rating:250V AC/DC  
 Contact resistance:20m Ohm Max  
 Insulator resistance:5,000M ohm min.  
 Withstanding Voltage:500V AC/Minute  
 Operating Temperature Range:-40°~+85°C  
 Max Processing Temp: 230°C For 30~60 Seconds  
 260° for10 seconds



### Material And Finish

Insulator:Polyester(UL 94V-0)  
 Standard :Nylon 6T  
 Contact:Phosphor Bronze  
 Contact Plated:Gold plated(standard)  
 Sheel:Copper Alloy With Nicket Plated



Full Gold Type	Selective Plated Type Gold Plated on Contact Area Tin Plated on Solder Area	Full Tin Type
GF : Gold Flash G1 : Gold 3u" G2 : Gold 5u" G3 : Gold 10u" G4 : Gold 15u" G5 : Gold 20u" G6 : Gold 30u"	HF : Gold Flash, Tin 100u" H1 : Gold 3u", Tin 100u" H2 : Gold 5u", Tin 100u" H3 : Gold 10u", Tin 100u" H4 : Gold 15u", Tin 100u" H5 : Gold 20u", Tin 100u" H6 : Gold 30u", Tin 100u"	T1 : Tin 100u" T2 : Tin 200u"

### How To Order

DVI29S-RXXX2

- Non Rear Cover & With Post
- Insulator Color:  
W:White  
B:Black
- Contact Plated  
HX : Gold Plated On Contact Area  
Tin Plated On Solder Area
- R:Right Angle Type
- S:Female
- No. Of Positions(24+5)